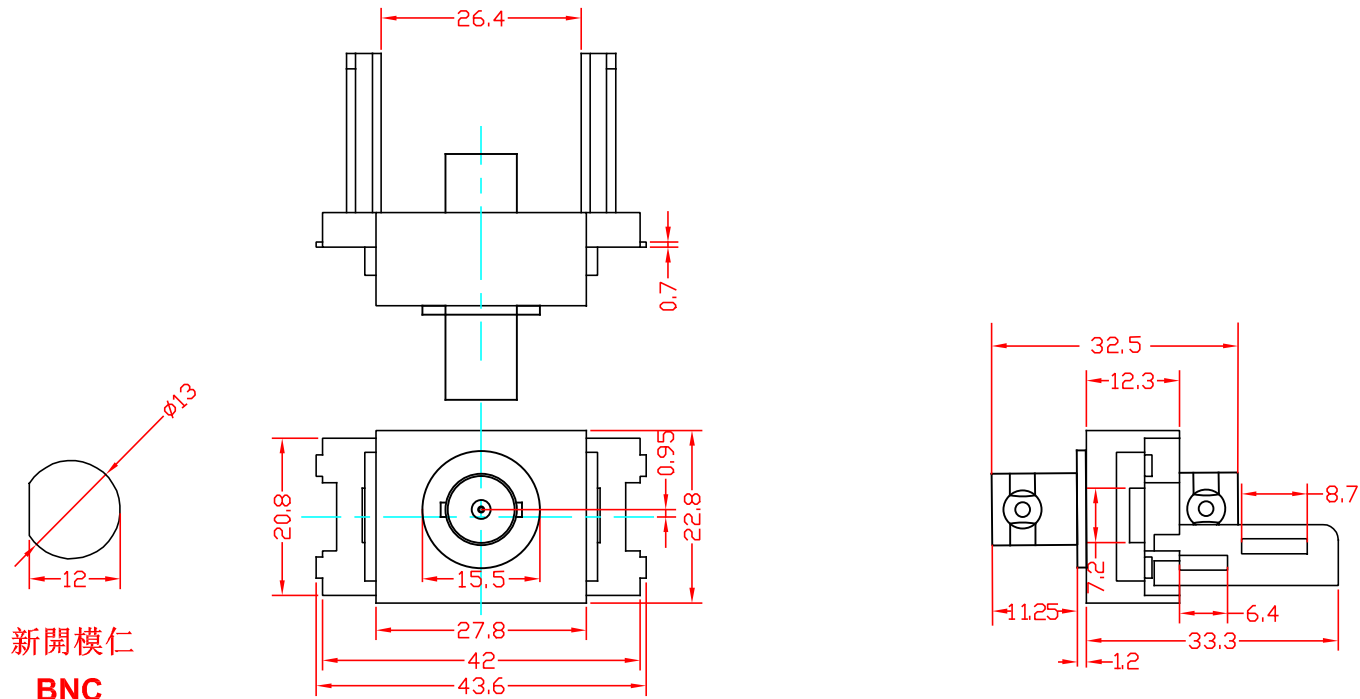


RevNo	Revision note	Rev-By	RevDate	Signature	Checked

(尺寸圖)

ITEM NO: CC-NWT-BNC-2



新開模仁
BNC

材質: ABS
顏色: RAL9010

ITEM NO.				
PART NO.				
DESIGNED BY	DATE	221012	UNIT	MM
Tsai	SCALE		VER.	1
NO.	Checked by			
APPR:	Approved by -date			