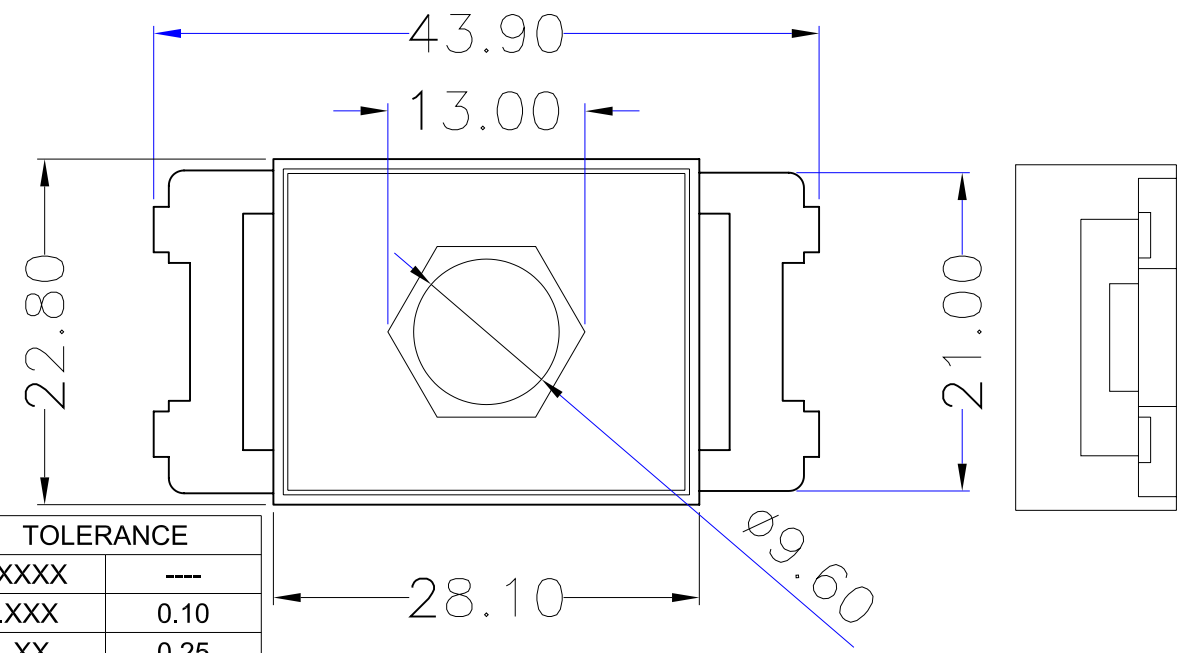
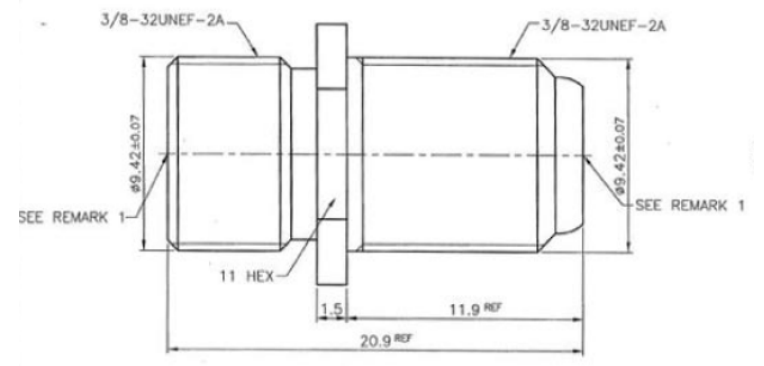
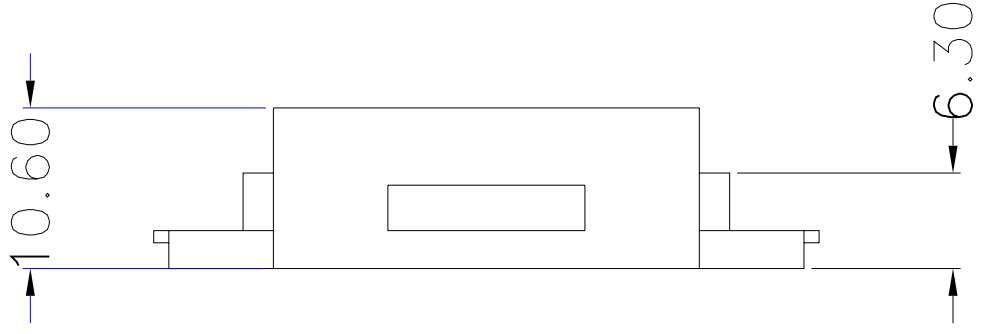


ROHS Compliant

Date	2009/03/17
Revision	A

A
B
C
D
E

A
B
C
D
E



TOLERANCE	
.XXXX	----
.XXX	0.10
.XX	0.25
.X	0.38

P/NO. CC-NWT-FFS

TECHNICAL DATA

UL-94-V-0 fire-resistance ABS			
Snap-In module type : F			
Standard color : white			
REV.	DESCRIPTION	ENG.	APPROVAL

ITEM	CO.	SY	FILE.
DR. Breaker2009/03/17	APPD.		CHKD.
SCALE /			
UNIT	mm	SIZE A4	
SHEET		REV.	