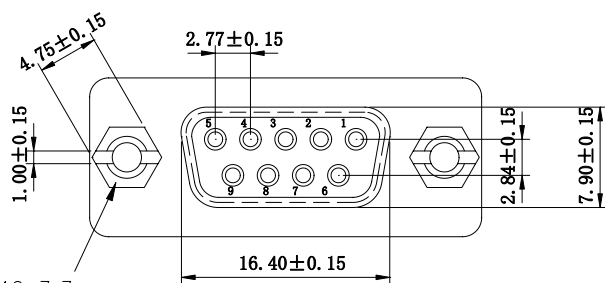
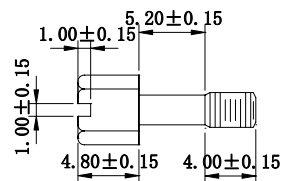
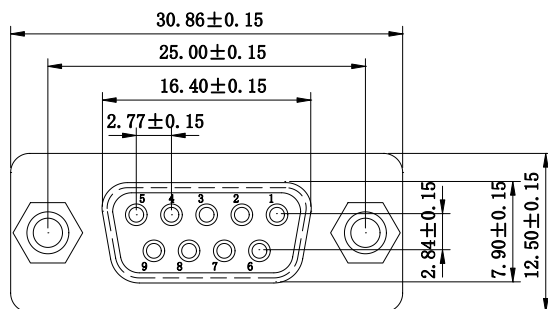
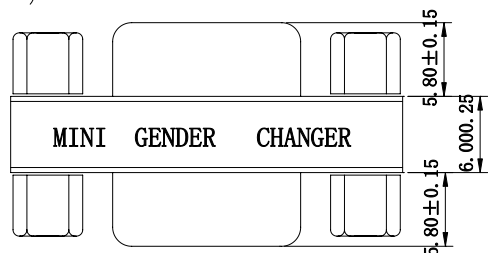


UNC #4-40 Hexscrew

UNC #4-40 Hexnut



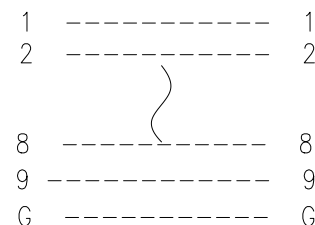
UNC #4-40x3.3mm
(THREAD)



DGC 09 F/F GENDER CHANGER

PIN OUT: 9Female

9Female



Label: yellow color with black character

One side: MINI GENDER CHANGER

The other side: U.S.A. PATENT 5199906

GENDER
CHANGER

SPECIFICATION

INSULATOR: PBT Glass fibre reinforced UL 94 V0

CONTACT: Brass

CONTACT PLATING: Gold plated over nickel

SHELL: Tin Plated Shell

CURRENT RATING: 3 AMP

DIELECTRIC STRENGTH: 1000V AC for one minute

INSULATOR RESISTANCE: 1000MΩ min at 500V DC

TEMPERATURE: -55°C --- +105°C

NET MECHANISM Corp
www.cabling-ol.net

SCALE	NONE	⊕	REV	A
UNIT	MM			
SHEET	1/1	DWG NO.		
DATE	11/13/04			

TITLE
DB9F/DB9F ADAPTER

PART NO.
DG-9FF-440