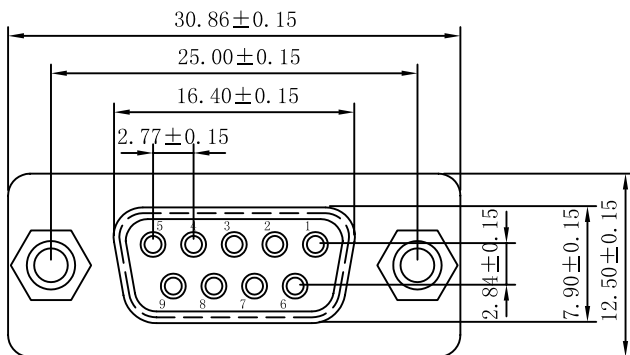
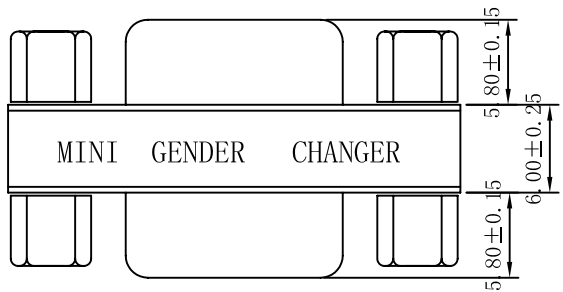
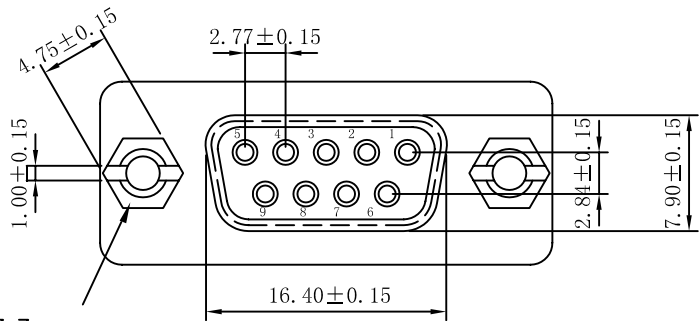
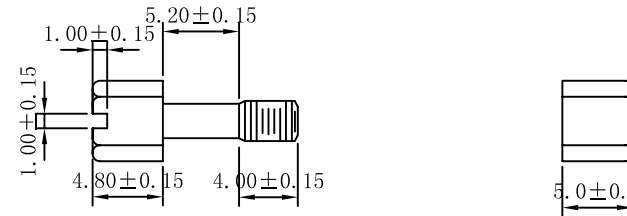


M-2.6x3.3mm
(THREAD)



M-2.6 Hexscrew

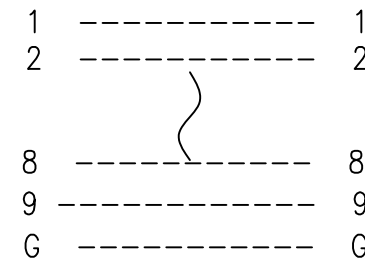
M-2.6 Hexnut



DGC 09 F/F GENDER CHANGER

PIN OUT: 9Female

9Female



Label: yellow color with black character

One side: MINI GENDER CHANGER

The other side: U.S.A. PATENT 5199906

GENDER
CHANGER

SPECIFICATION

INSULATOR: PBT Glass fibre reinforced UL 94 V0

CONTACT: Brass

CONTACT PLATING: Gold plated over nickel

SHELL: Tin Plated Shell

CURRENT RATING: 3 AMP

DIELECTRIC STRENGTH: 1000V AC for one minute

INSULATOR RESISTANCE: 1000MΩ min at 500V DC

TEMPERATURE: -55°C --- +105°C

NET MECHANISM Corp
www.cabling-ol.net

SCALE	NONE		REV	A
UNIT	MM			
SHEET	1/1	DWG NO.		
DATE	11/13/04	TITLE		
		DB9F/F ADAPTER		
PART NO.		DG-9FF-M26		