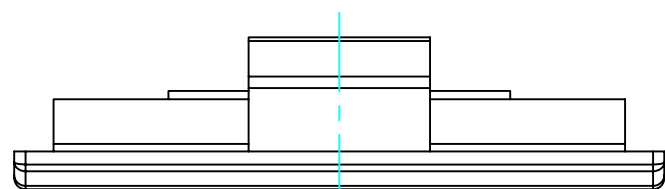


RevNo	Revision note	Rev-By	RevDate	Signature	Checked

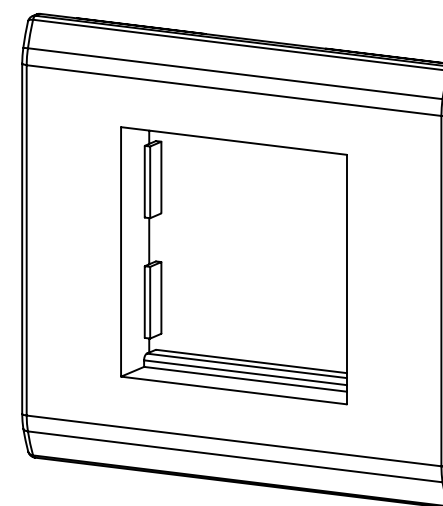


# 1 GANG TYPE FACE PLATE FOR TRUNKING SYSTEM

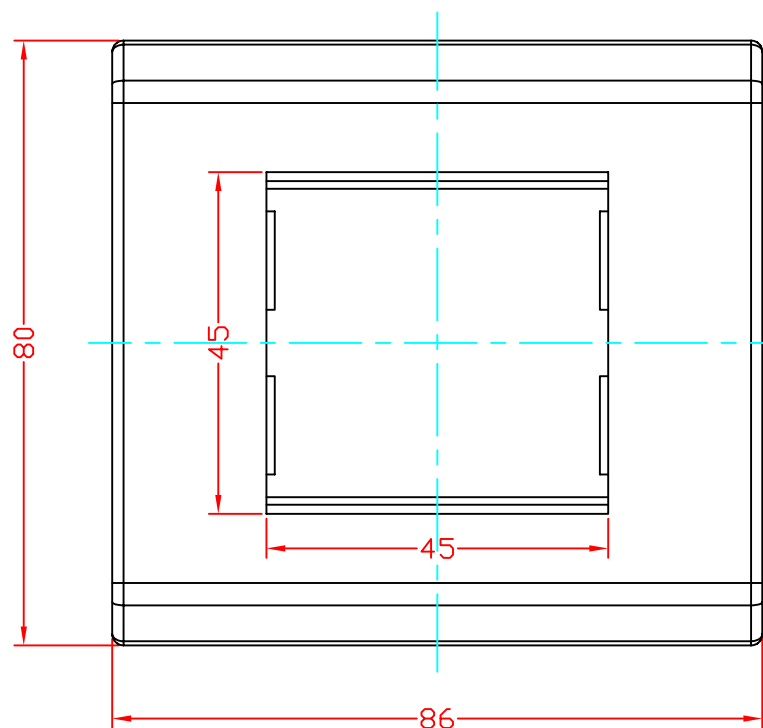
ITEM NO: FA-1230



Top View



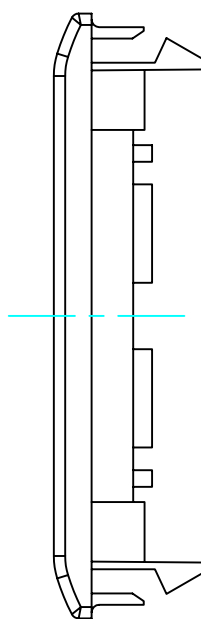
Front Angled View



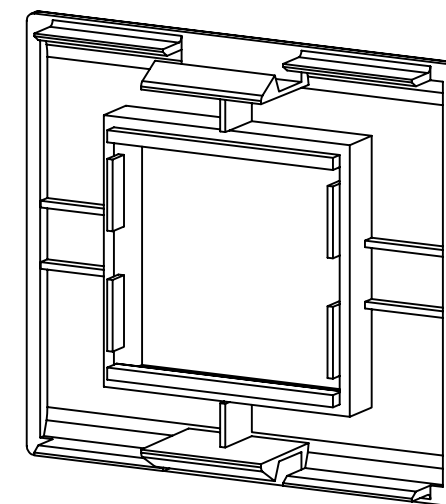
Front View

Outer Size : 86 x 80 mm

Inner Size : 45 x 45mm



Side View



Rear Angled View

Material : ABS  
Color : RAL9010

ITEM NO.	FA-1230-RAL9010			
CUSTOMER NO.				
DESIGNED BY	DATE	14.10.17	UNIT	MM
ALEX	SCALE	1:1	VER.	1
NO.	Checked by			
APPR:	Approved by	-date		