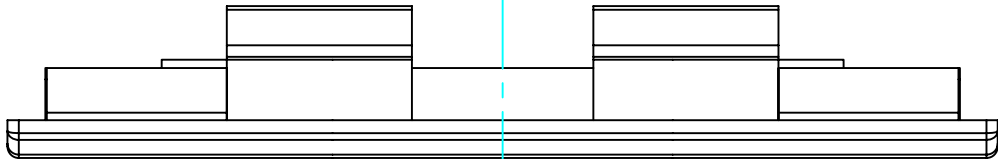


| RevNo | Revision note | Rev-By | RevDate | Signature | Checked |
|-------|---------------|--------|---------|-----------|---------|
| | | | | | |

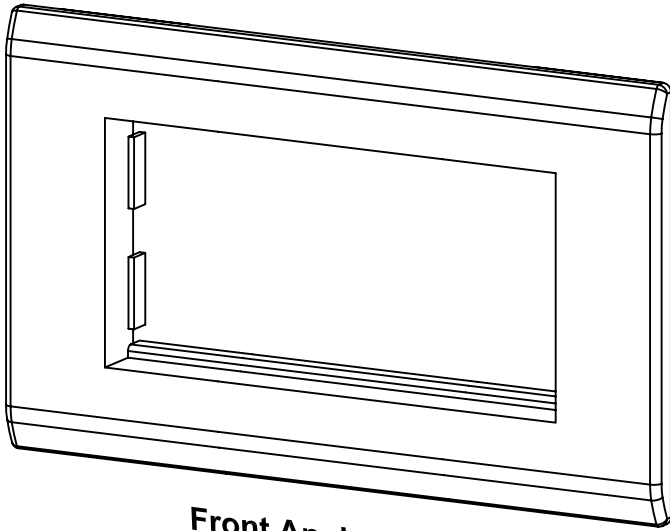


2 GANG TYPE FACE PLATE FOR TRUNKING SYSTEM

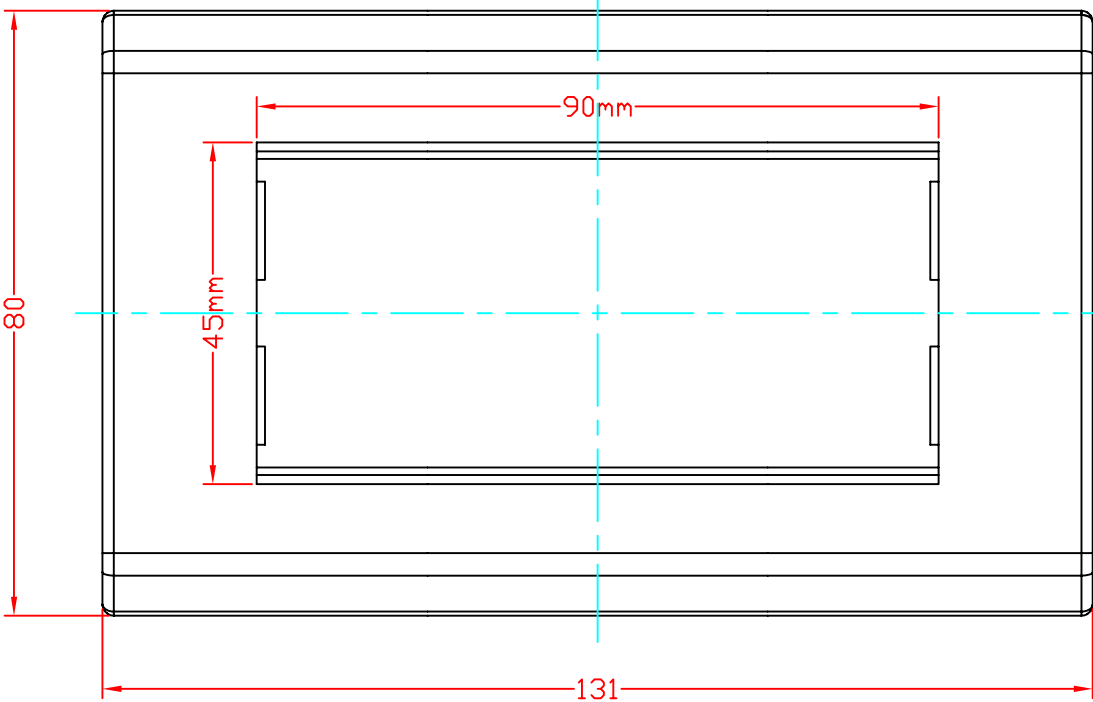
ITEM NO: FA-1240



Top View

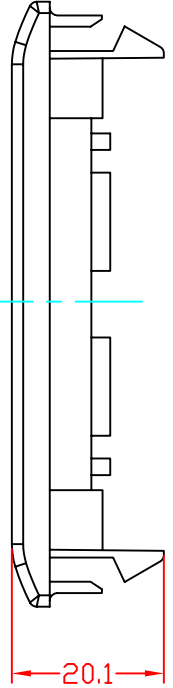


Front Angled View

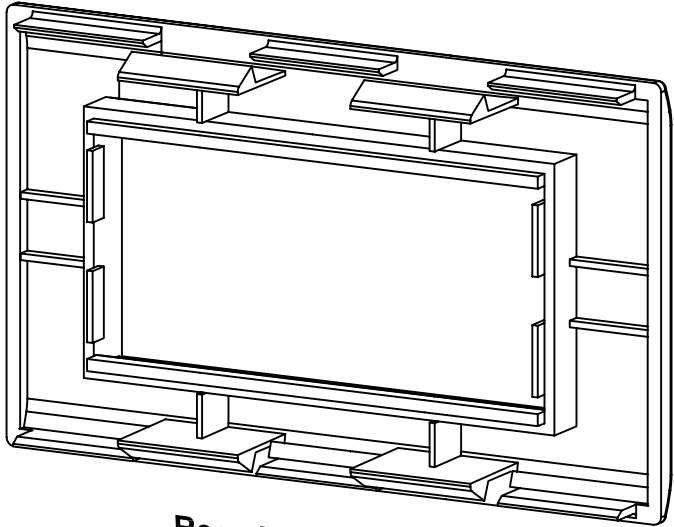


Front View

Outer Size : 131 x 80 mm
Inner Size : 90 x 45mm



Side View



Rear Angled View

Material : ABS
Color : RAL9010

| | | | | |
|--------------|-------------------|--------|------|----|
| ITEM NO. | FA-1240-RAL9010 | | | |
| CUSTOMER NO. | | | | |
| DESIGNED BY | DATE | 141009 | UNIT | MM |
| ALEX | SCALE | 1:1 | VER. | 1 |
| NO. | Checked by | | | |
| APPR: | Approved by -date | | | |