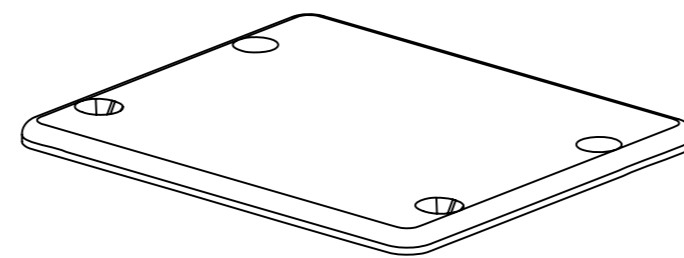
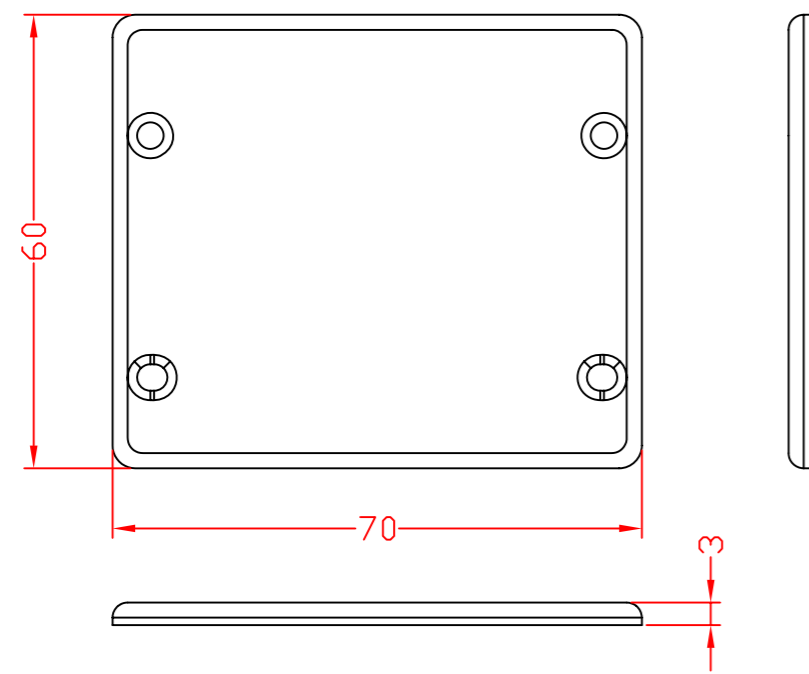


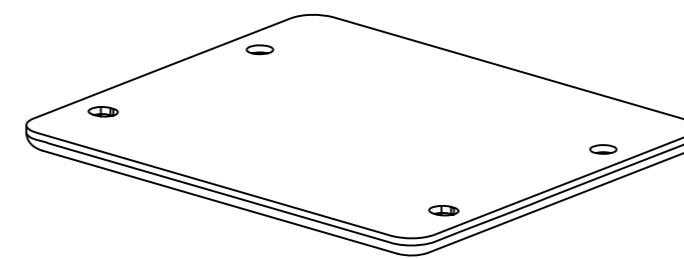
RevNo	Revision note	Rev-By	RevDate	Signature	Checked



ITEM NO: FA-2300-OP-TP



Top Angled View

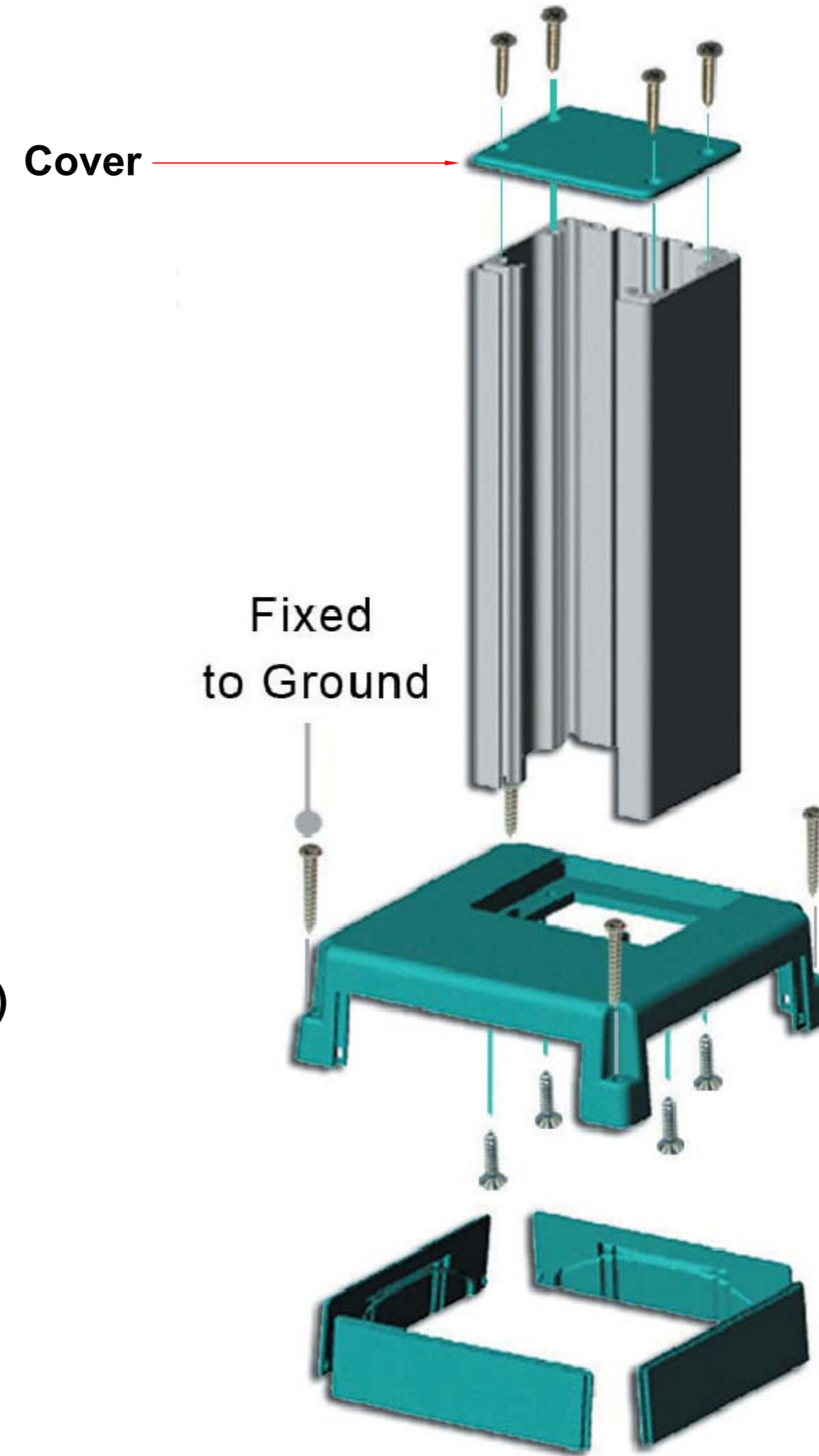


Rear Angled View



Material : ABS
Color: RAL9005 (Black Color)

Installation Guide



ITEM NO.	FA-2300-OP-TP			
CUSTOMER NO.				
DESIGNED BY	DATE	14.12.25	UNIT	MM
ALEX	SCALE	1:1	VER.	1
NO.	Checked by			
APPR:	Approved by -date			