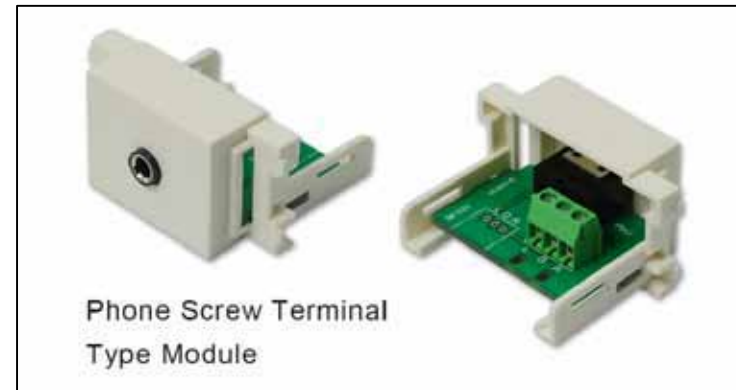
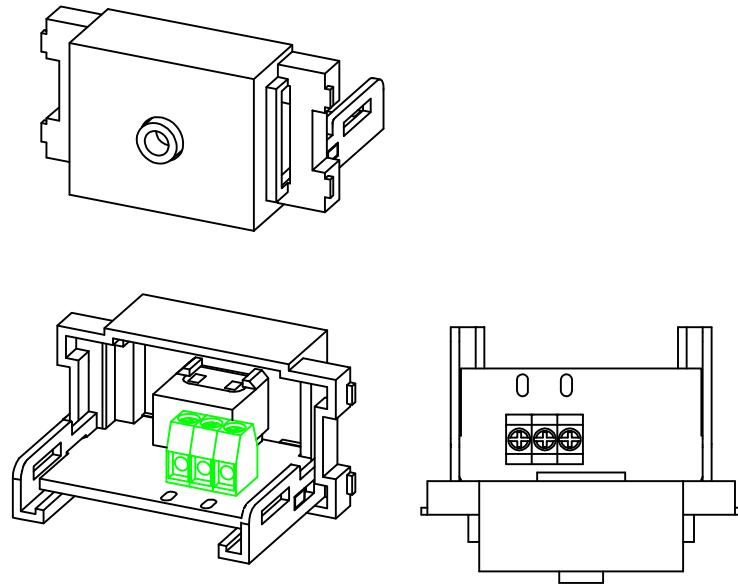
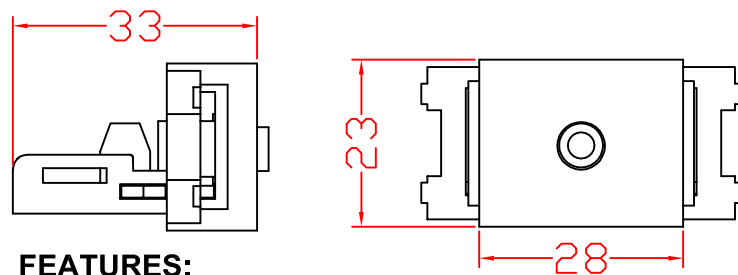


RevNo	Revision note	Rev-By	RevDate	Signature	Checked

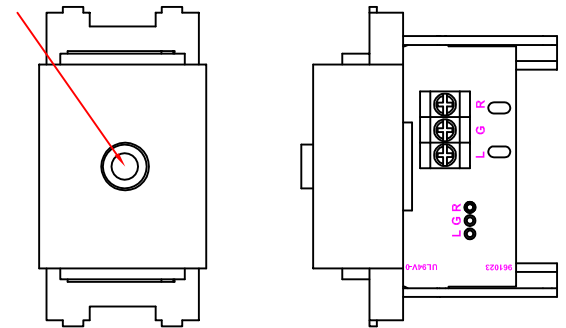
# ITEM NO: FA-2400-PHJ



## 3.5 mm Mini Phone Stereo Jack



**Pin Out:**  
**R** — Right Audio  
**G** — Ground  
**L** — Left Audio



### FEATURES:

- 3.5mm Audio Module
- Screw Type Terminal Block
- Material : ABS
- Color : RAL9010
- Size: 28 x 23 x 33mm
- Connector Suitable Electric Wire:AWG 24-18

ITEM NO.	FA-2400-PHJ			
PART NO.				
DESIGNED BY	DATE	190819	UNIT	MM
	SCALE	1:1	VER.	1
NO.	Checked by			
APPR:		Approved by -date		