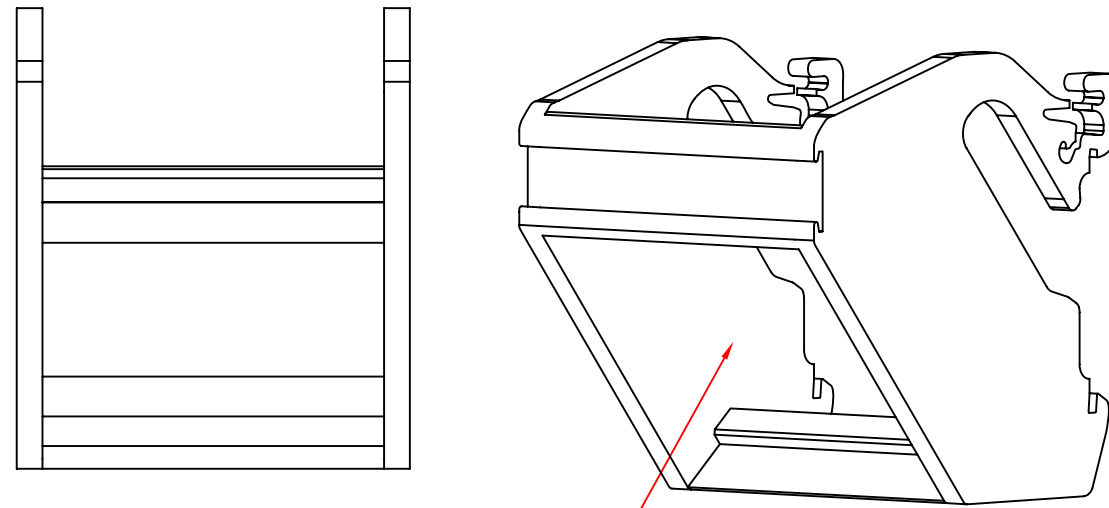


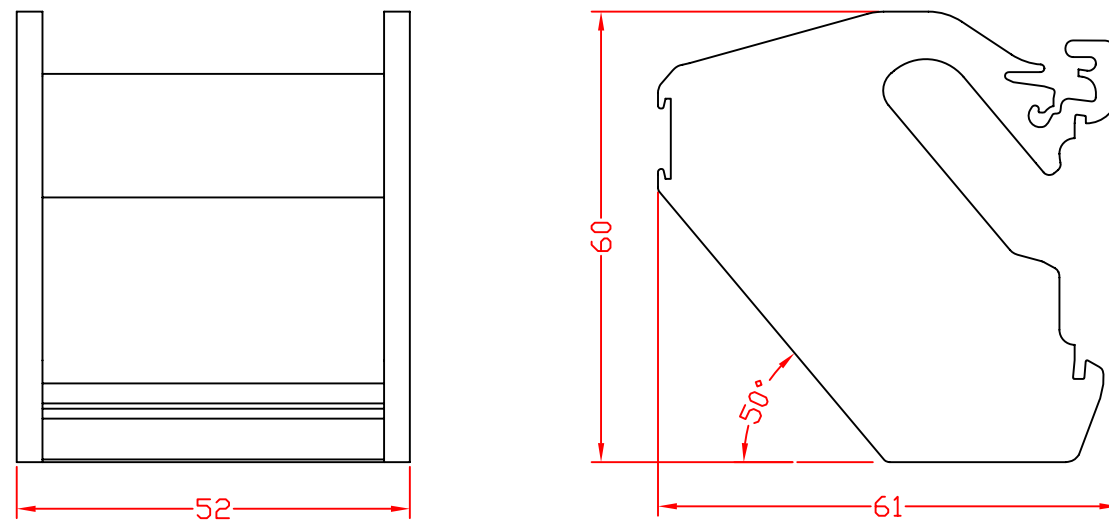
RevNo	Revision note	Rev-By	RevDate	Signature	Checked

RAIL TYPE - F45 SYSTEM HOUSING

ITEM NO: FA-2435 (For F-45 System)



**Inner Size
(45 x 45 mm)** **(Front View)**



**W x H x D
Size: 52 x 60 x 61 mm**

ITEM NO.		FA-2435			
CUSTOMER NO.					
DATE		110504	UNIT	MM	
SCALE		1:1	VER.	1	
NO.	Checked by				
APPR:	Approved by -date				