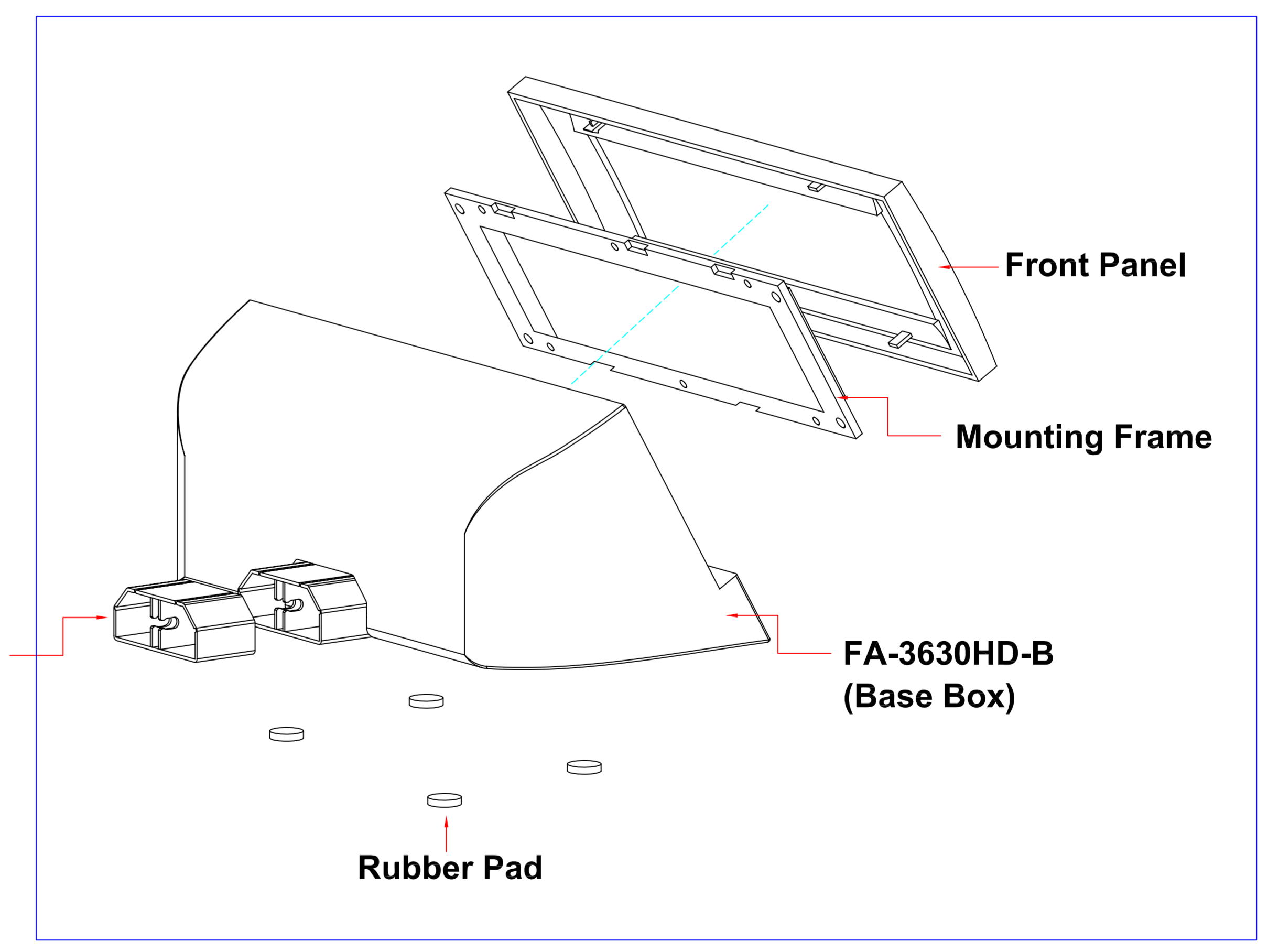
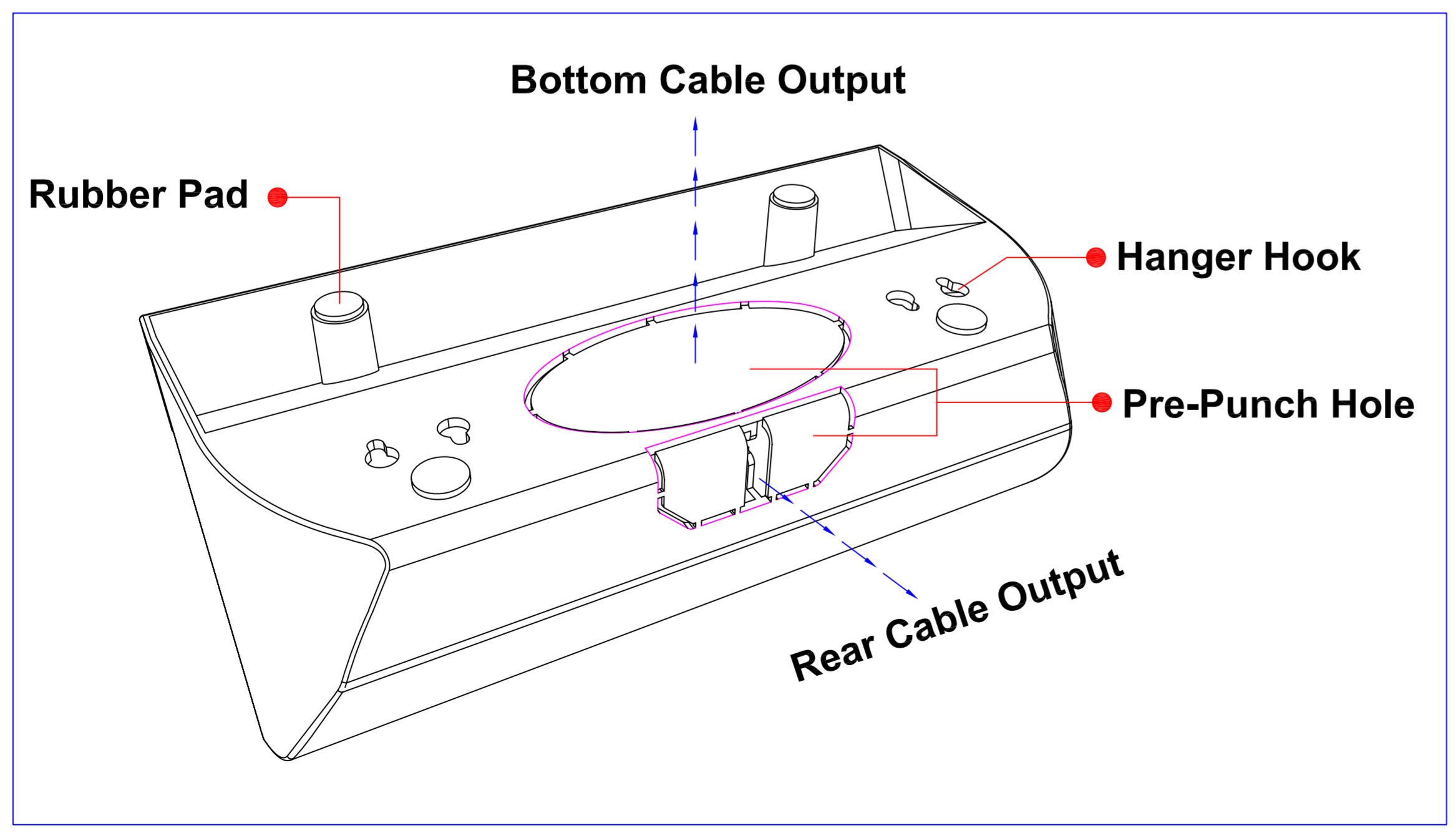
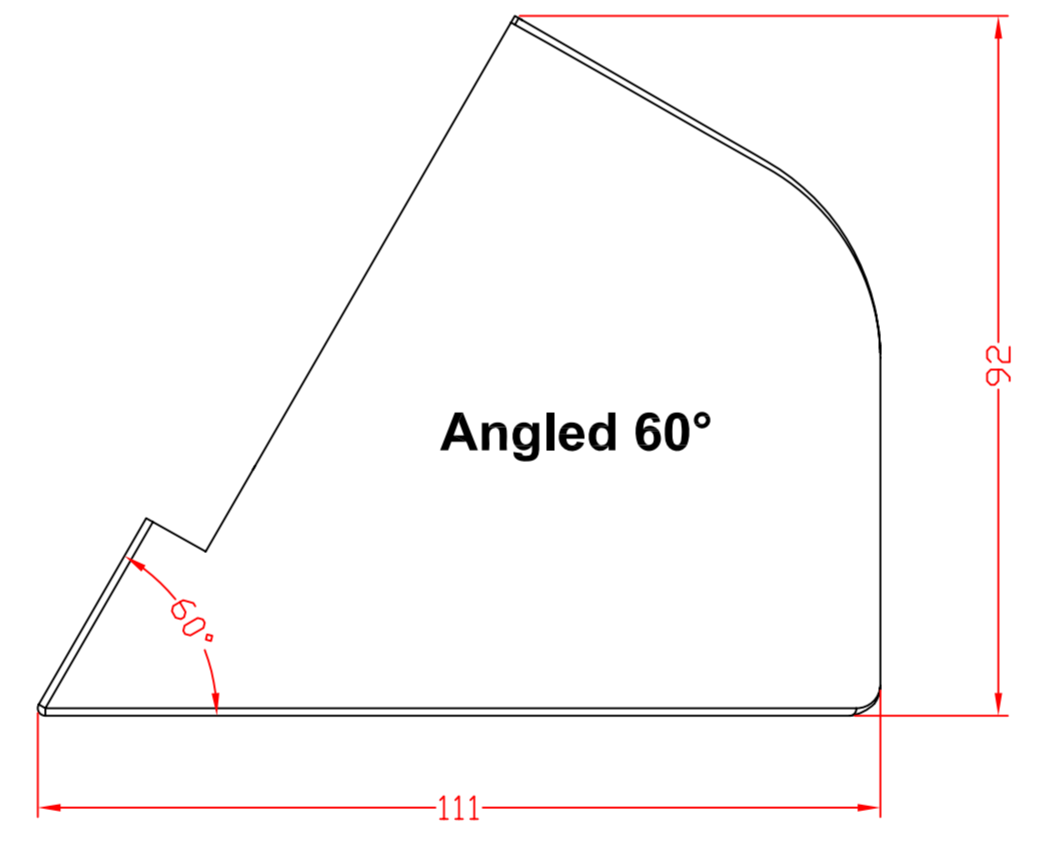
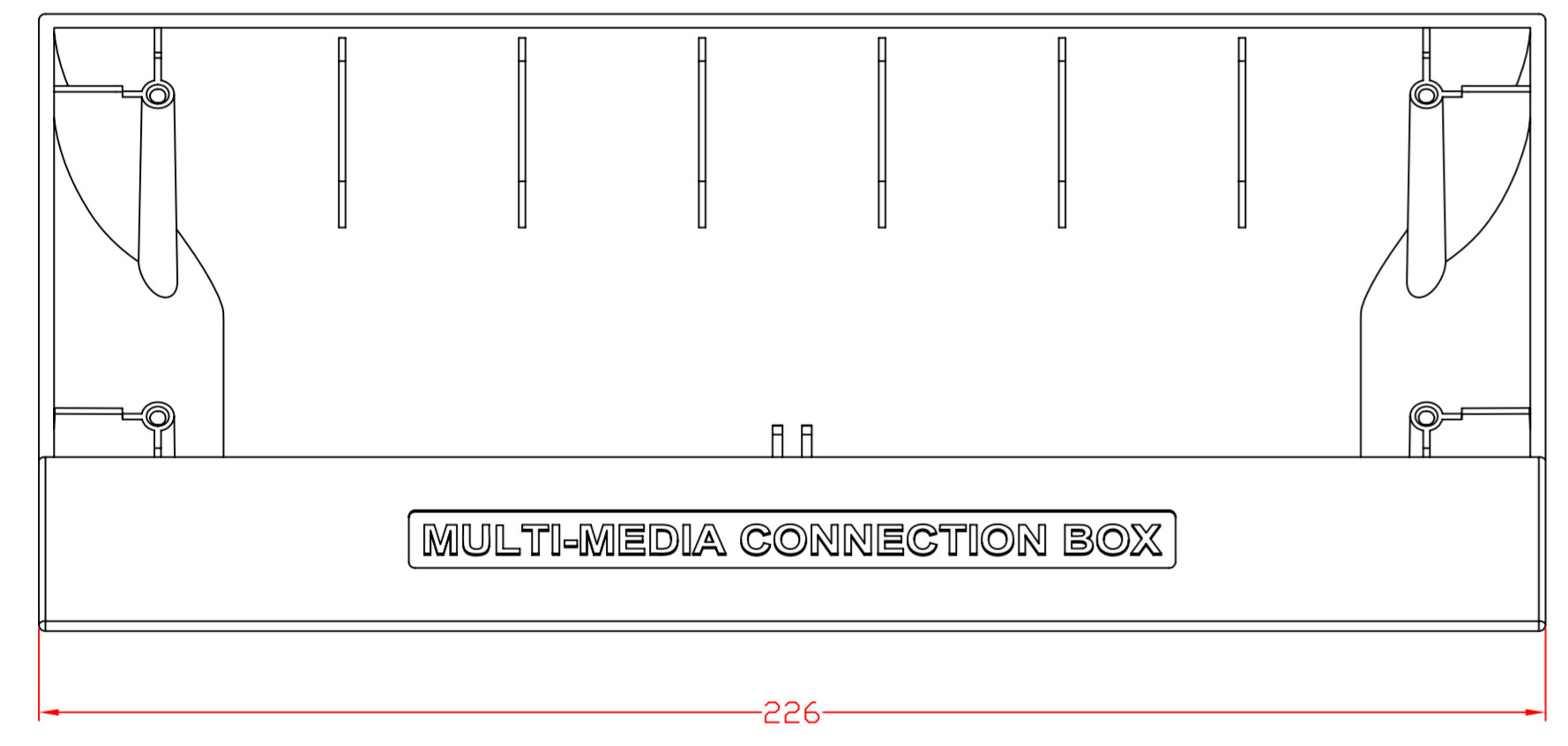
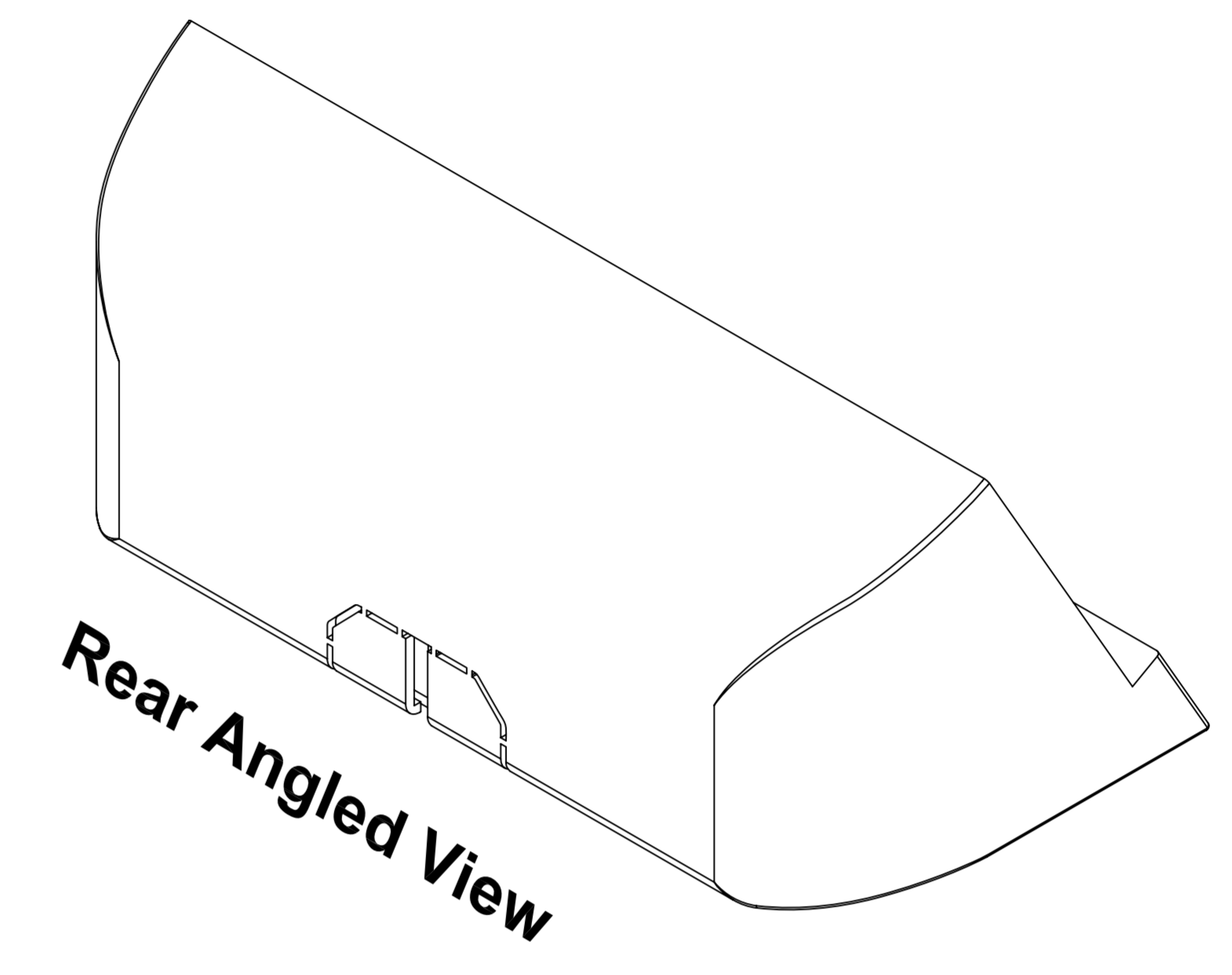
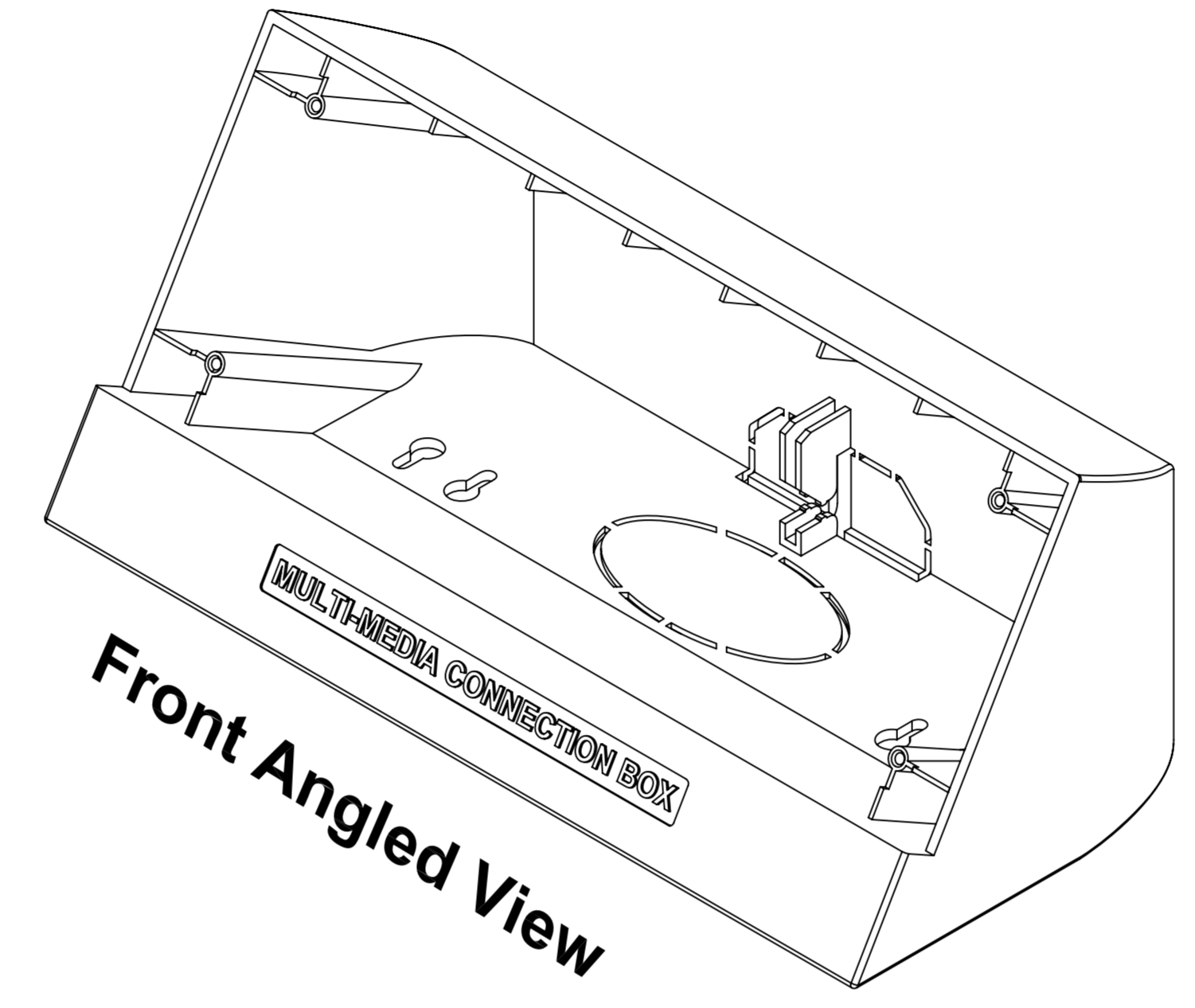
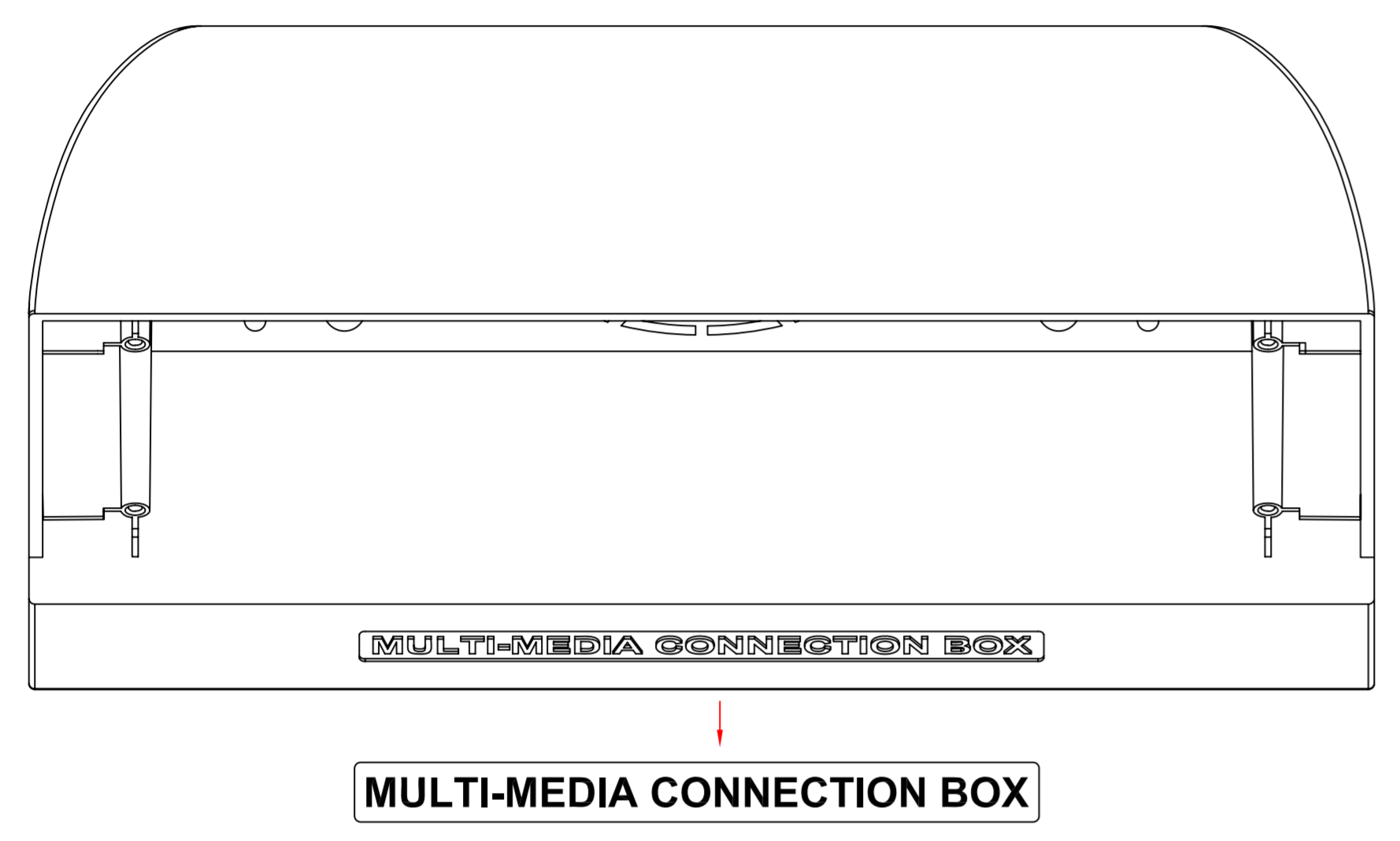


RevNo	Revision note	Rev-By	RevDate	Signature	Checked



# MULTI-MEDIA DESKTOP SOLUTION

## ITEM NO: FA-3630HD-B (Base Box)



### Installation Guide

Housing Material : ABS  
Color : Black

ITEM NO.	FA-3630HD-B (Base Box)			
CUSTOMER NO.				
DESIGNED BY	DATE	14.12.23	UNIT	MM
ALEX	SCALE	1:1	VER.	1
NO.	Checked by			
APPR:	Approved by -date			