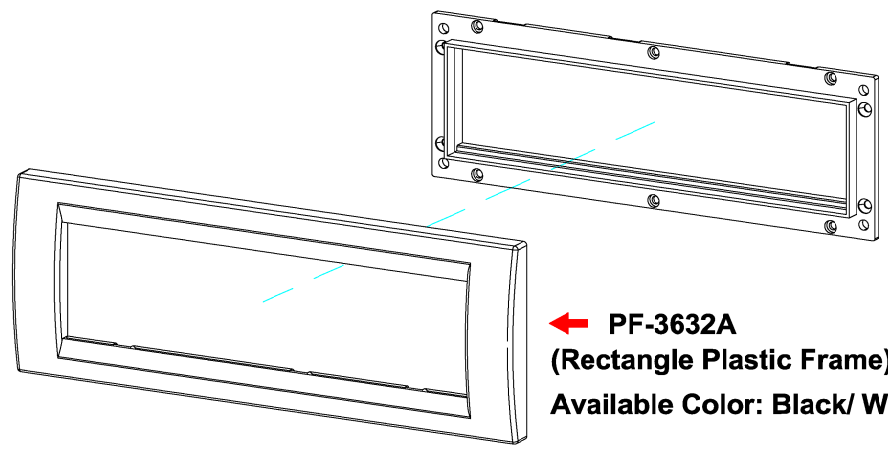


RevNo	7	Revision note	Rev-By	RevDate	Signature	Checked



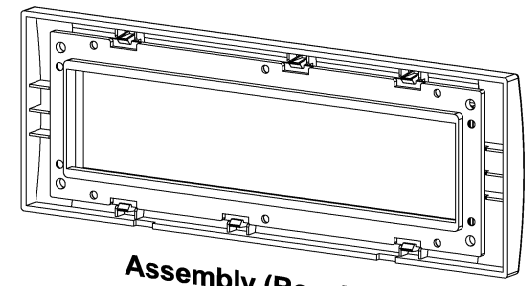
# MULTI-MEDIA WALL OUTLET SOLUTION

## ITEM NO: FA-3632P (Front Frame)

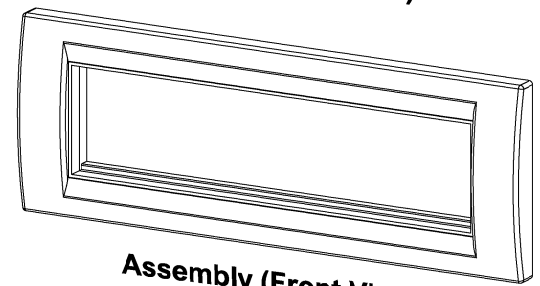


← **P-3632MF**  
**(Mounting Frame)**  
**Color: Black**

← **PF-3632A**  
**(Rectangle Plastic Frame)**  
**Available Color: Black/ White/ Gold/ Silver**

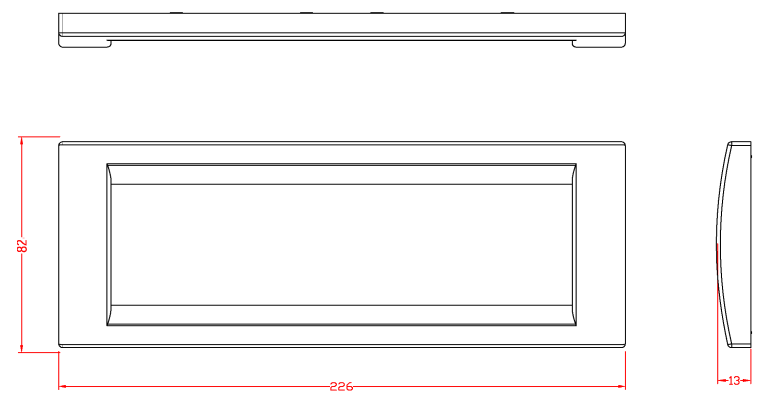


**Assembly (Rear View)**

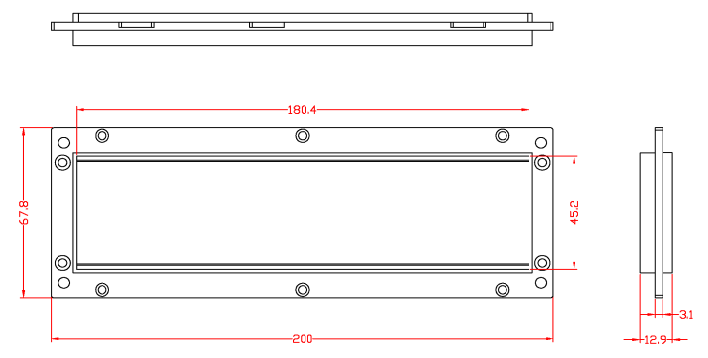


**Assembly (Front View)**

**Note: It can be fitted for all our F45 Series of Modules.**  
**Module : 45 x 45mm Full Size Module (4 pcs)**  
**22.5 x 45mm Half Size Module (8 pcs)**



**PF-3632A (Dimension)**



**P-3632MF (Dimension)**

ITEM NO.	<b>FA-3632P (Front Frame)</b>				
CUSTOMER NO.					
DESIGNED BY	DATE	14/12/23	UNIT	MM	
ALEX	SCALE	1:1	VER.	1	
NO.	Checked by				
APPR:	Approved by --date				