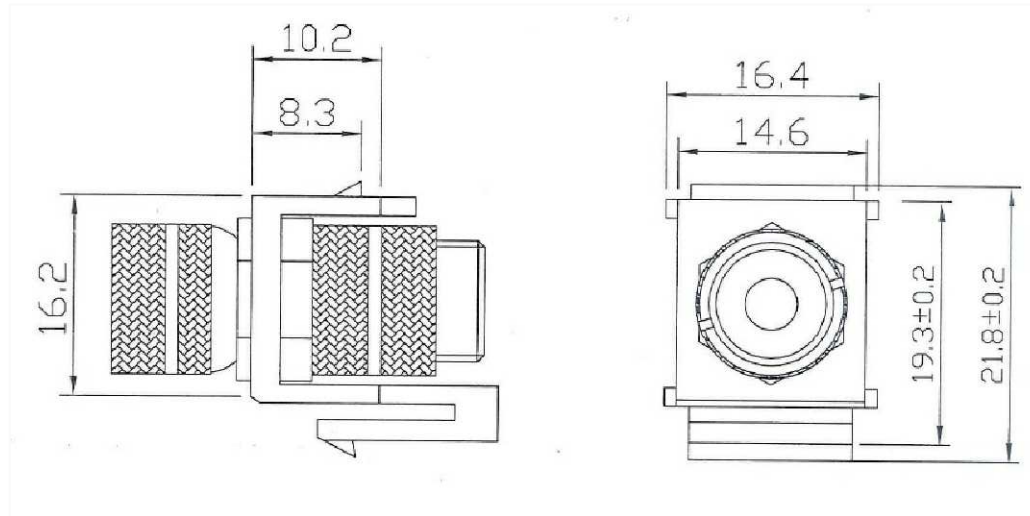


RevNo	Revision note	Rev-By	RevDate	Signature	Checked

**ITEM NO: FA-371-BC-049-X-G**



ITEM NO.		<b>FA-371-BC-049-X-G</b>			
PART NO.					
DESIGNED BY TSAI	DATE	190225	UNIT	MM	
	SCALE	Free	VER.	1	
NO.		Checked by			
APPR:		Approved by -date			