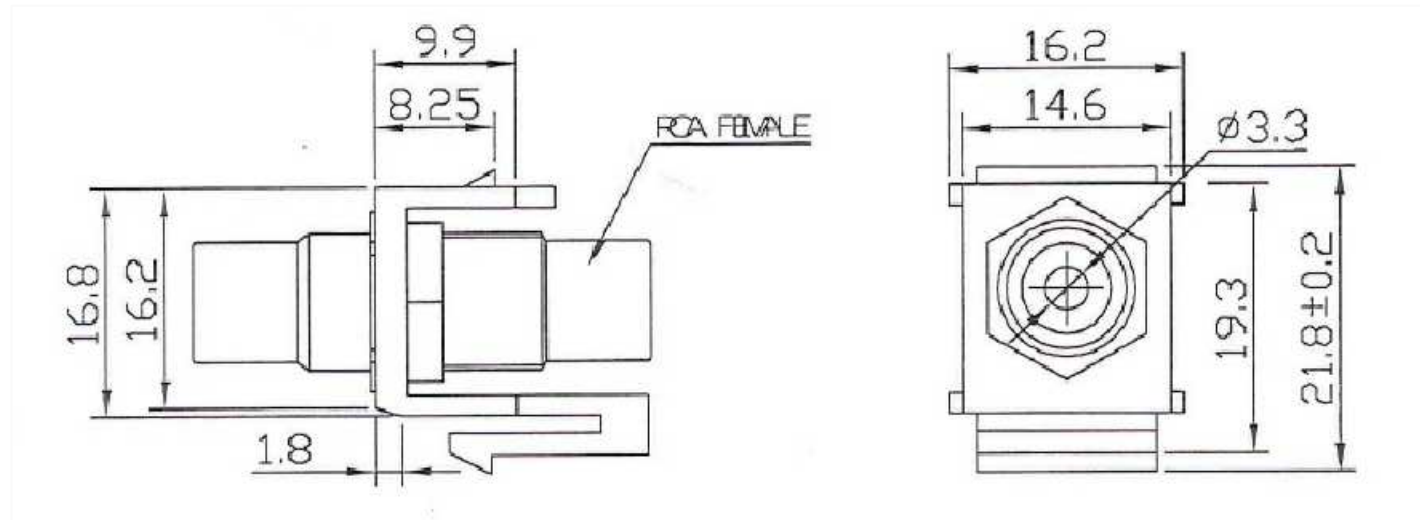


RevNo	Revision note	Rev-By	RevDate	Signature	Checked

FA-371-RCA-X-G



ITEM NO.	FA-371-RCA-X-G			
PART NO.				
DESIGNED BY	DATE	190225	UNIT	MM
TSAI	SCALE	Free	VER.	1
NO.		Checked by		
APPR:		Approved by -date		