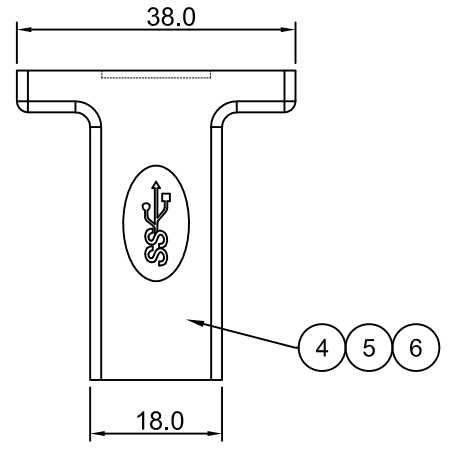
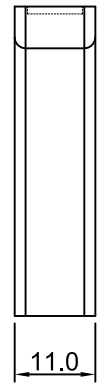
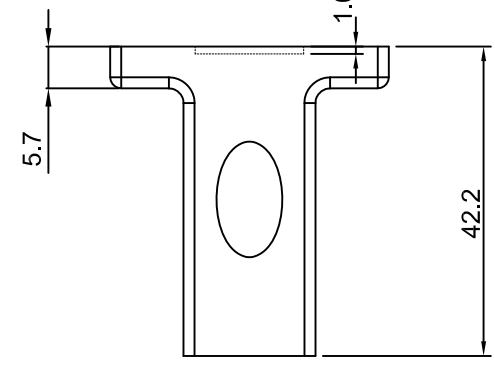
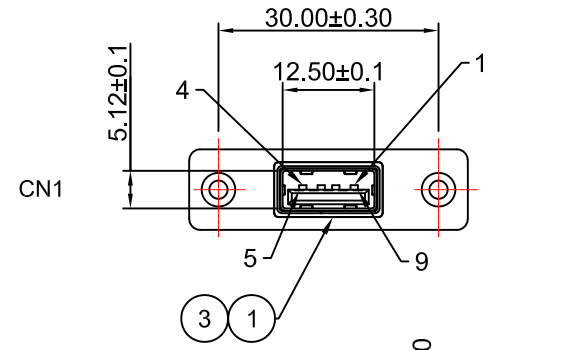
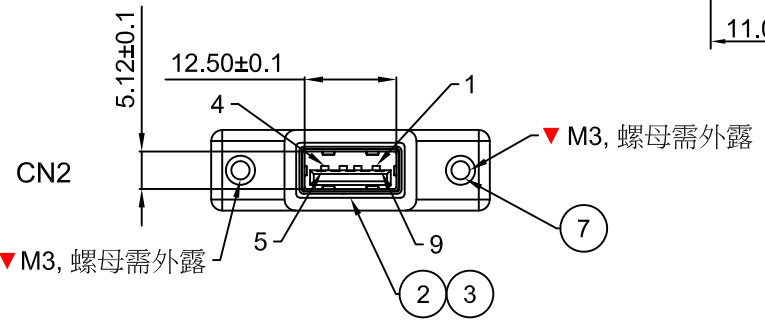


REVISIONS			
REV	DESCRIPTION	DATE	APPROVED

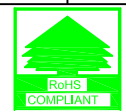

Note
 1.100% test,short、open,mismatch
 2.Contact Resistance: 5Ω Max.;
 3.Insulation Resistance: 10MΩ Min.;
 4.Withstand Voltage: 300V DC/10 ms.
 5.Marked "▼" are FAI DIMS.



▼ 接點表	
CN1	CN2
01	01
02	02
03	03
04	04
05	08
06	09
07	07
08	05
09	06
SHELL	SHELL



7	螺母	銅螺母, M3 螺牙	2
6	外模	PVC, 45P, 藍色	N/A
5	內模	PE, 透明	N/A
4	內連接	PCB, T=1.0mm	1
3	護套	USB 3.0 AF 鐵殼鍍銀, PIN針鍍金 G/F, 藍膠	2
2	Connector	USB 3.0 AF 鐵殼鍍銀, PIN針鍍金 G/F, 藍膠	1
1	Connector	High temperature Plastics,UL94V-0, Black	1
No.	Part Name	Specifications	Qty

X±0.50	X°±5°	NAME:			
.XX±0.30	.X°±2°	BE			
.XX±0.10	.XX°±1°	UNITS:	PART NO.:	TITLE:	
.XXX±0.05	.XXX°±0.5°	MM	FCAG-FAGF-D01E-S02	USB 3.0 A/F to A/F Adapter	
				DWG NO.:	
				FCAG-FAGF-D01E-S02	
					SCALE SHEET REV.
		APPD BY	CHECK BY	DRAWN BY	NONE 1/2 A