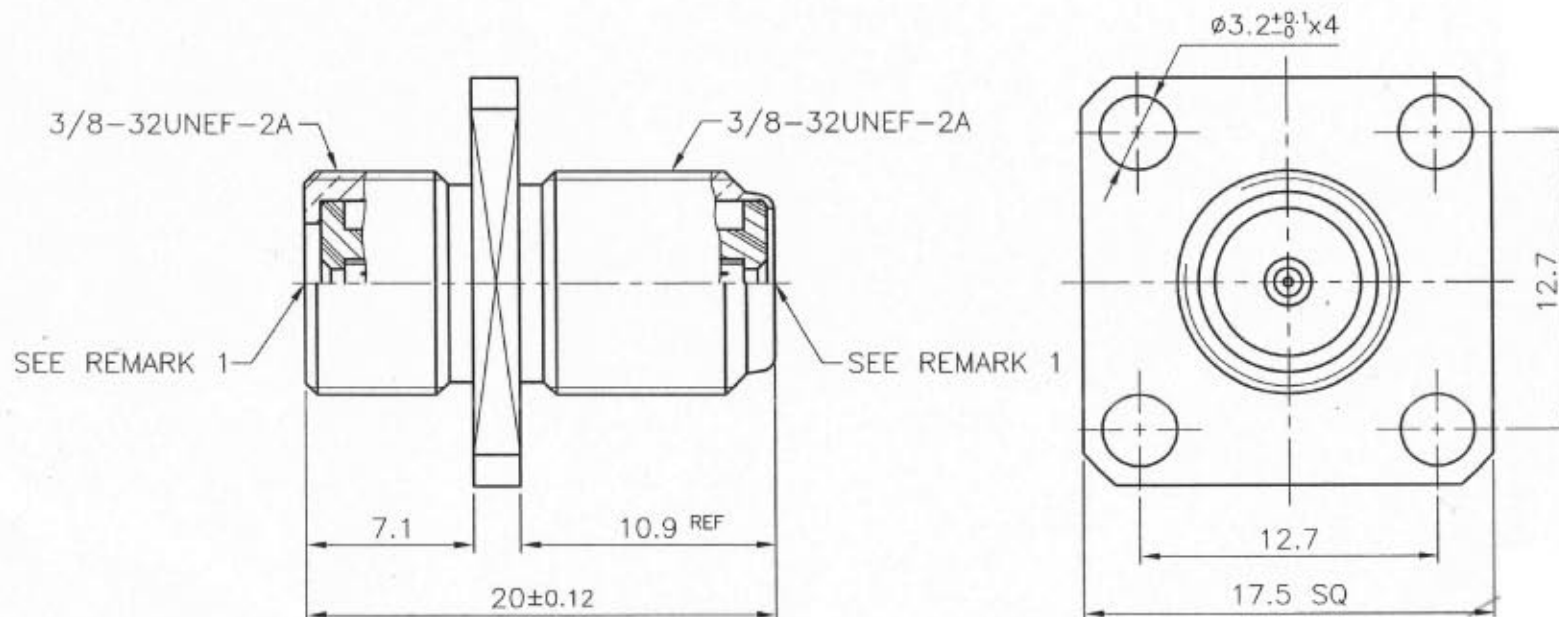


REVISIONS

ISS	SYMBOL	DESCRIPTION\DATE
A1		由BJ-7242-81BNTN001-R 型號轉來 03/30/07

FOR CUSTOMER

REMARK: 1.ACCEPT  $\phi 0.54 \sim \phi 1.06$  SOLID PIN  
(接受  $\phi 0.54 \sim \phi 1.06$  單蕊的線心)  
2.RoHS COMPLIANT  
(符合 RoHS)



NOTES: FINISH (PLATING THICKNESS IN MICRO-INCHES)

1. BRASS PER QQ-B-626
2. NICKEL PL 70 MIN THICK OVER COPPER STRIKE
3. GOLD PL 3 MIN OVER NICKEL PL 70 MIN THICK OVER COPPER STRIKE
4. TEFLON MIL-P-19468
5. BERYLLIUM COPPER PER QQ-C-530

					DIMENSIONS ARE IN MILLIMETERS				PART NO.					
					UNLESS OTHERWISE SPECIFIED TOLERANCES (一般公差) $0.5 \sim 6 = \pm 0.2$ $>6 \sim 30 = \pm 0.4$ $>30 \sim 120 = \pm 0.6$ $>120 \sim 315 = \pm 1$ $>315 \sim 1000 = \pm 1.6$ ANGLES(角度) = $\pm 5^\circ$				APPROVED		DATE		TITLE	
CONTACT PIN		NOTE 5	NOTE 3						03/30/07		F PANEL JACK TO BULKHEAD JACK ADAPTOR			
CONTACT PIN		NOTE 1	NOTE 2						03/30/07		DRAWING NO. 7278FS700BG000B			
INSULATOR		NOTE 4	WHITE						03/30/07		FILE NO. Z:\NND\7278\FS\700\000\7278FS700BG000B-A1			
BODY		NOTE 1	NOTE 2						03/30/07					
NO.	DESCRIPTION	MATERIAL	FINISH	Q'TY	DRAWING NO.	SCALE	3/1	ISSUE	A1					