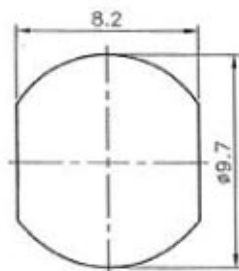
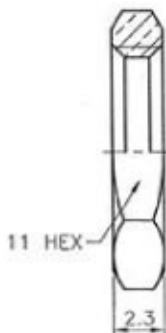
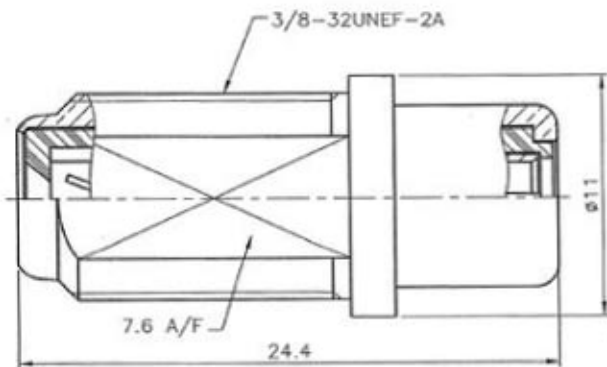
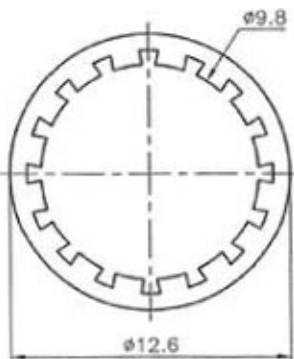


ISS	SYMBOL	REVISIONS
A1		DESCRIPTION\DATE 由BJ-7251-BNDN009型號轉交,轉為符合RoHS 改善對外圖面\05/10/07

REMARK: RoHS COMPLIANT
(符合RoHS)RECOMMENDED
MOUNTING HOLE
(建議安裝孔)

11 HEX



NOTES: FINISH (PLATING THICKNESS IN MICRO-INCHES)
1. BRASS PER QQ-B-626
2. NICKEL PL 70 MIN THICK OVER COPPER STRIKE

1. MAX. PANEL THICKNESS=4mm
(最大板厚)

NO.	DESCRIPTION	MATERIAL	FINISH	Q'TY	DRAWING NO.	SCALE	4/1	ISSUE	A1	DIMENSIONS ARE IN MILLIMETERS	PART NO.
	NUT	STEEL	NOTE 2							UNLESS OTHERWISE SPECIFIED TOLERANCES (—極公差) 0.5-6 = ±0.2 3.6-30 = ±0.4 >30-120 = ±0.6 >120-315 = ±1 >315-1000 = ±1.6 ANGLE(角度) = ±5°	
	WASHER	SS41	NOTE 2						APPROVED		DATE
	INSULATOR	DELIN	YELLOW						CHECKED		DATE
	CONTACT PIN	NOTE 1	NOTE 2						DRAWN		DATE
	INSULATOR	P.P.	WHITE								
	BODY	NOTE 1	NOTE 2								

TITLE

F JACK TO RCA JACK ADAPTOR

DRAWING NO.

72J77JBS7CG001B

FILE NO. Z:\NH0\72J\77J\B57\001\72J77JBS7CG001B-A1