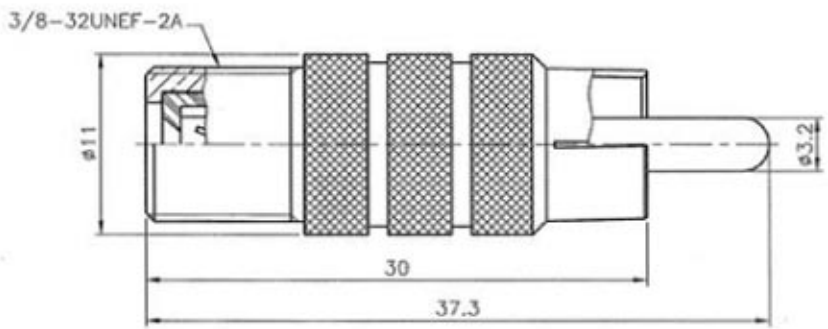


REMARK: RoHS COMPLIANT  
(符合 RoHS)

REVISONS	
ISS	SYMBOL
A1	由R7706-BNDN 型號轉交, 改善對外面面 03/15/07
A2	修正線顏色 03/30/07



NOTES: FINISH (PLATING THICKNESS IN MICRO-INCHES)  
1. BRASS PER QQ-B-626  
2. NICKEL PL 70 MIN THICK OVER COPPER STRIKE

					DIMENSIONS ARE IN MILLIMETERS		PART NO.			
					UNLESS OTHERWISE SPECIFIED TOLERANCES (一般公差)		APPROVED DATE			
INSULATOR	DELTRIN	NATURAL			0.5-6 = ±0.2	<i>[Signature]</i>	03/30/07			
CONTACT PIN	NOTE 1	NOTE 2			>6-30 = ±0.4	<i>[Signature]</i>	DATE			
INSULATOR	P.P.	NATURAL			>30-120 = ±0.6	<i>[Signature]</i>	03/30/07			
BODY	NOTE 1	NOTE 2			>120-315 = ±1		DATE			
					>315-1000 = ±1.6	<i>[Signature]</i>	03/30/07			
					ANGLES(角度) = ±5°					
NO.	DESCRIPTION	MATERIAL	FINISH	Q'TY	DRAWING NO.	SCALE	3/1	ISSUE	A2	

TITLE	F JACK TO RCA PLUG ADAPTOR
DRAWING NO.	72J77PNS7CG000B
FILE NO.	Z:\HN6\72J77P\MS7\000\72J77PNS7CG000B-A2