

RevNo	Revision note	Rev-By	RevDate	Signature	Checked



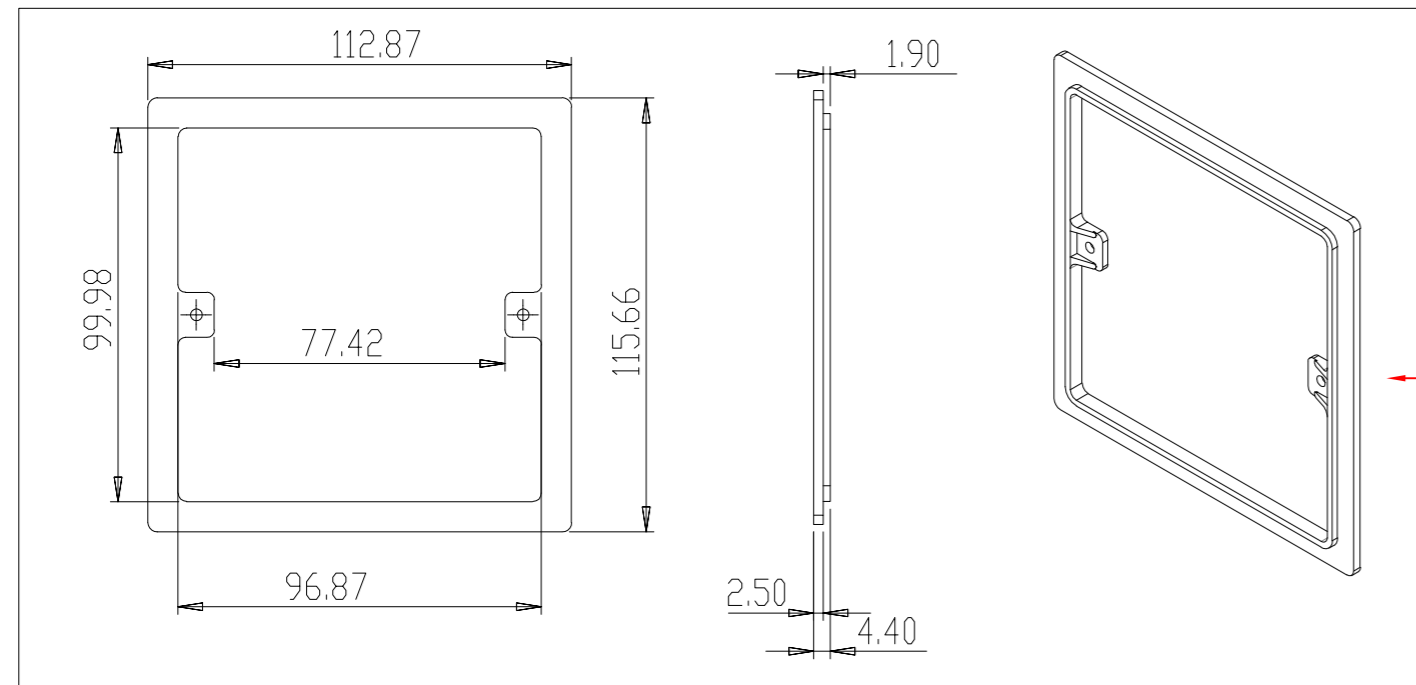
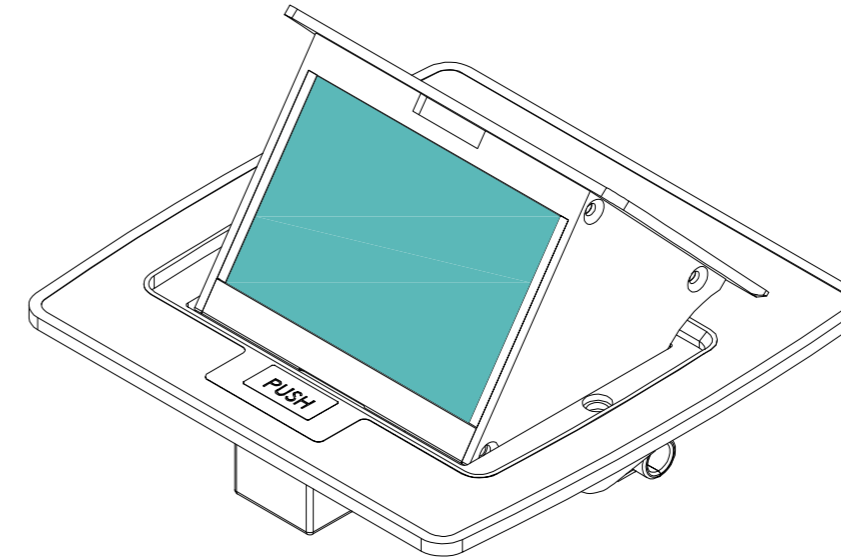
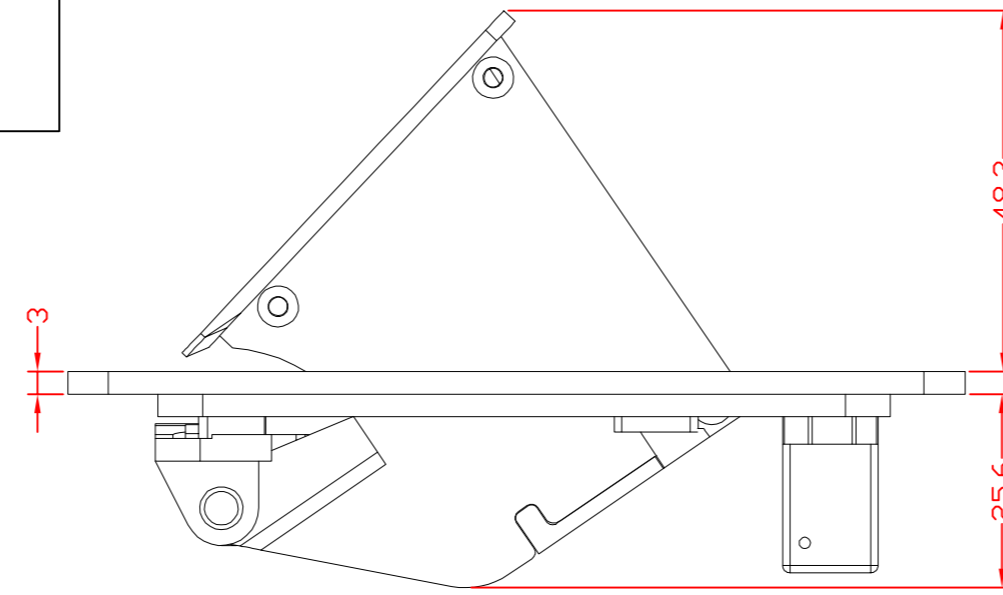
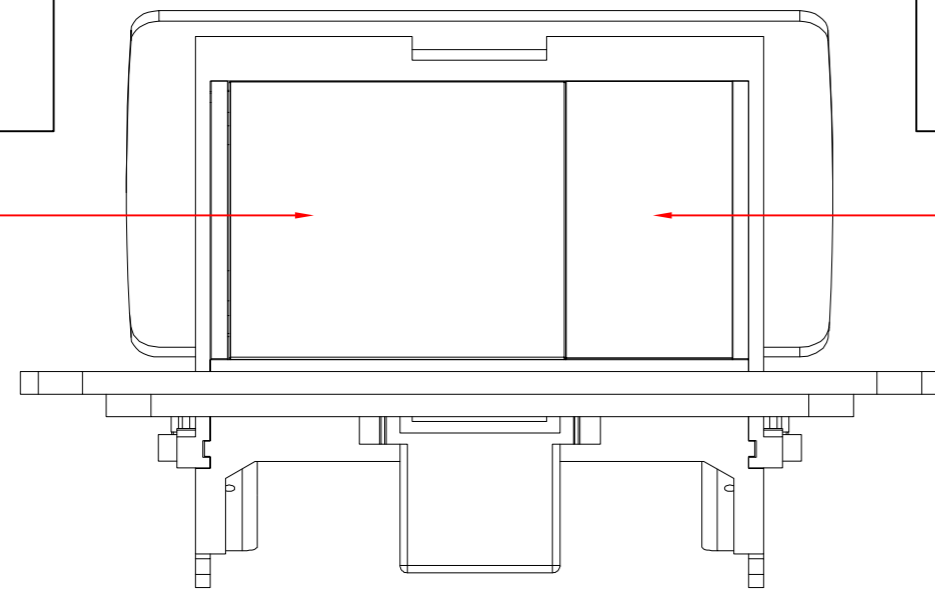
FLOOR BOXES FOR RAISED FLOORS

ITEM NO: FLB-HTD-5S

Can be Fixed F45 series of Modules
 3 pcs of Half size (22.5x45mm)
 (or)
 1 pc of (45x45) and 1 pc of (22.5x45)

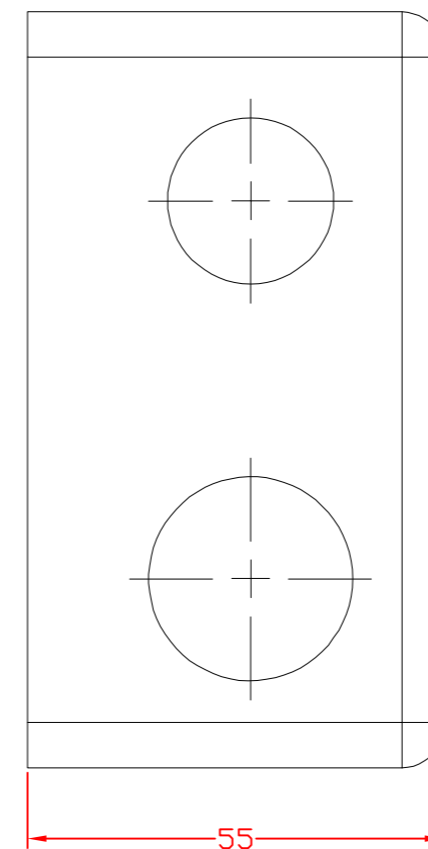
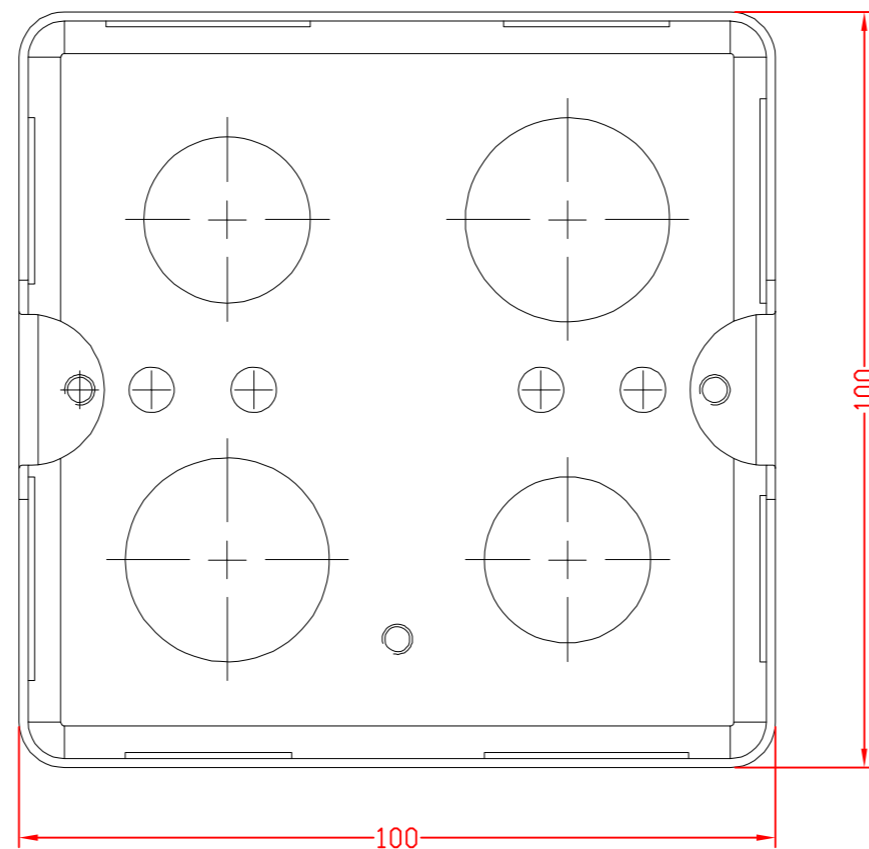
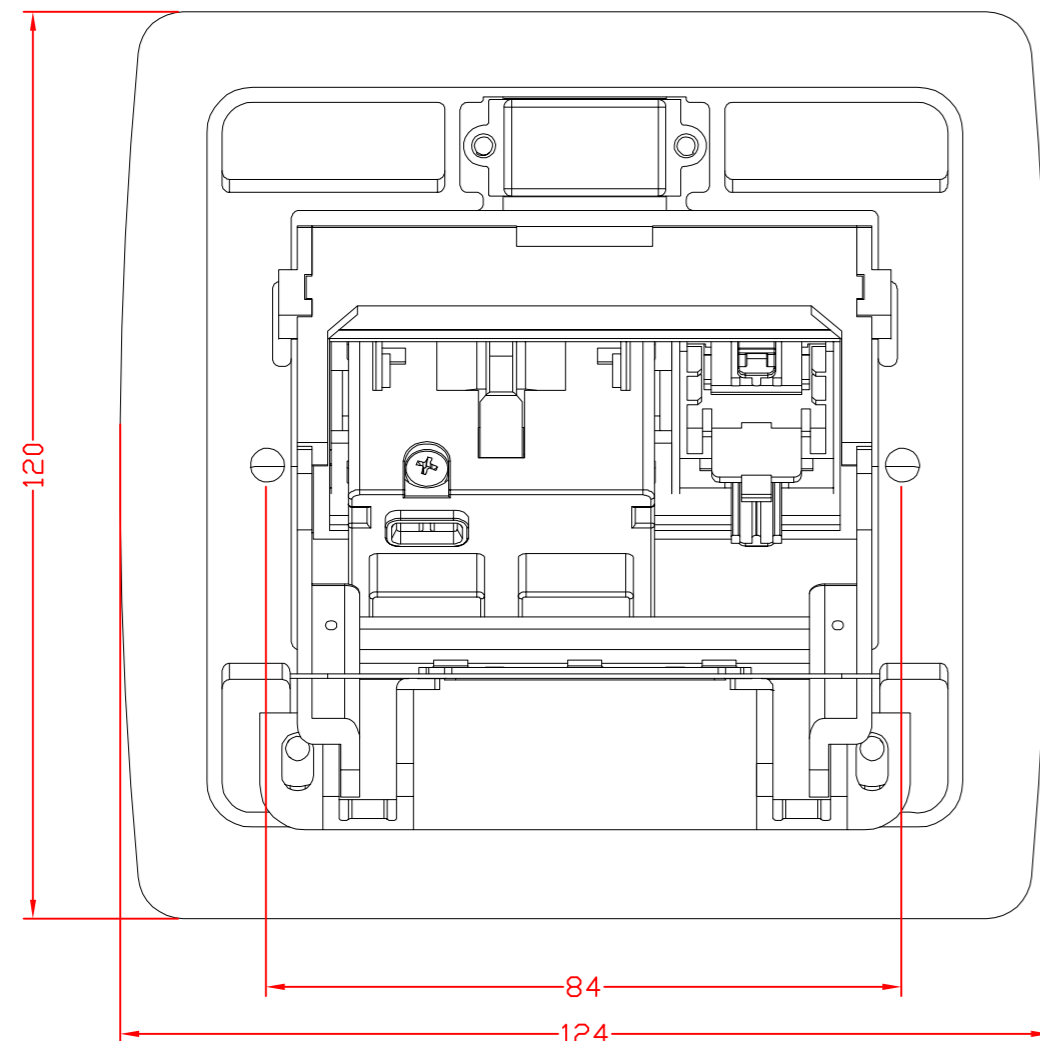
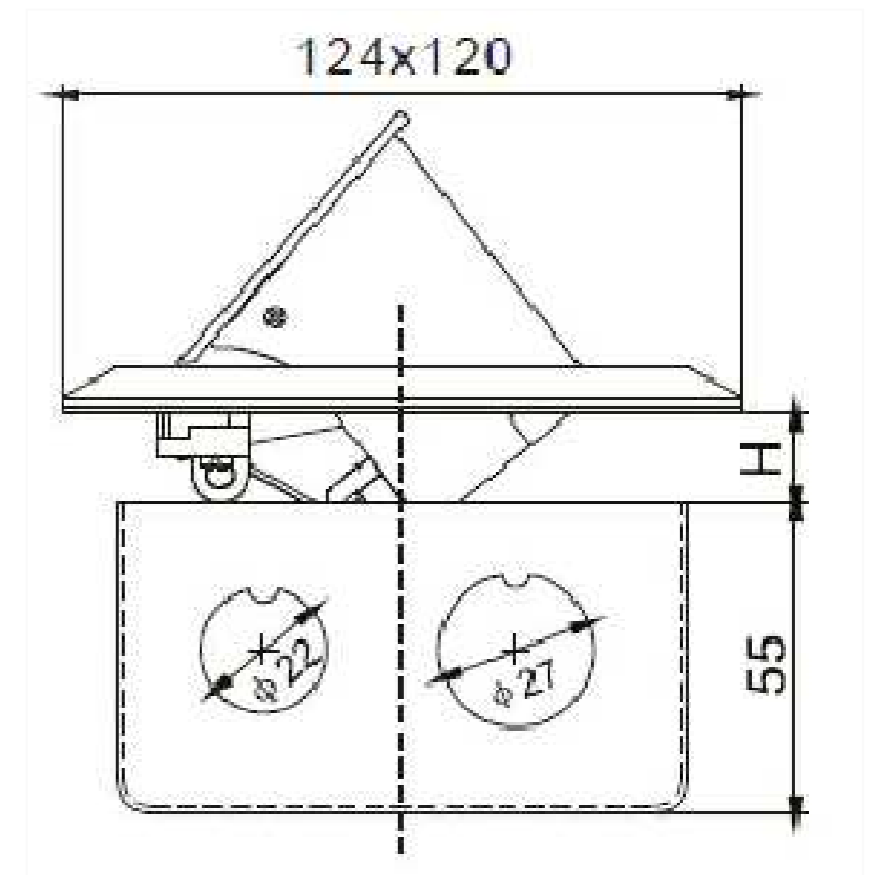
Inner Size:
45x45 mm

Inner Size:
22.5x45 mm



FLB-HTD-5 FREAM

MOUNT BOX



Basic Data

Panel Material	Stainless steel
Frame Capacity	3 Modules (22.5x 45 mm)
Available Modules	F45 series modules
Cover Dimension	123 x 120 mm
Mount Box Dimension	100 x 100 x 55 mm

ITEM NO.	FLB-HTD-5 SERIES			
CUSTOMER NO.				
DESIGNED BY	DATE	170221	UNIT	MM
	SSUMIN	SCALE	1:1	VER.
				1
NO.	Checked by			
APPR:	Approved by	-date		