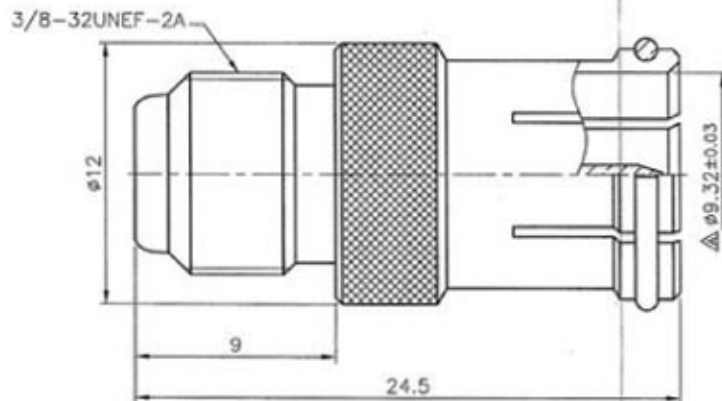


REVISIONS		
ISS	SYMBOL	DESCRIPTION\DATE
A2	▲	加標 $\phi 9.32 \pm 0.03$ \06/07/07'
A3		由R7236-BNPT 型式轉來 \07/09/09'

REMARK: RoHS COMPLIANT
(符合 RoHS)



NOTES: FINISH (PLATING THICKNESS IN MICRO-INCHES)

1. BRASS PER QQ-B-626
2. NICKEL PL 70 MIN THICK OVER COPPER STRIKE
3. BRIGHT TIN PL 100 MIN THICK OVER COPPER STRIKE

					DIMENSIONS ARE IN MILLIMETERS		PART NO.		
					UNLESS OTHERWISE SPECIFIED TOLERANCES (—無公差)		APPROVED		
SPRING	STEEL	NOTE 2			0.5-6 = ±0.2		DATE		
INSULATOR	DELDRIN	NATURAL			>6-30 = ±0.4		07/09/09		
CONTACT PIN	NOTE 1	NOTE 3			>30-120 = ±0.6		CHECKED		
INSULATOR	P.P.	NATURAL			>120-315 = ±1		07/09/09		
BODY	NOTE 1	NOTE 2			>315-1000 = ±1.6		DRAWN		
					ANGLES(角度) = ±5'		DATE		
NO.	DESCRIPTION	MATERIAL	FINISH	QTY	DRAWING NO.	SCALE	4/1	ISSUE	A3
								07/09/09	

TITLE
F JACK TO QUICK PLUG ADAPTOR

DRAWING NO. 7258QS700CLO00B

FILE NO. Z:\NND\7258\05\700\000\7258QS700CLO00B-A3