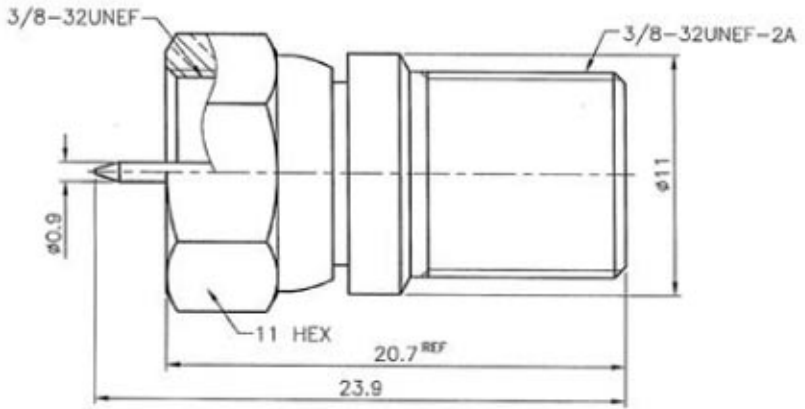


REVISIONS

ISS	SYMBOL	DESCRIPTION\DATE
A2		由R7235-BNDT 型號轉來\10/05/07'
A3		新增 CONTACT PIN\10/14/08'

REMARK: RoHS COMPLIANT
(符合 RoHS)



- NOTES: FINISH (PLATING THICKNESS IN MICRO-INCHES)
1. BRASS PER QQ-B-626
 2. NICKEL PL 70 MIN THICK OVER COPPER STRIKE
 3. BRIGHT TIN PL 100 MIN THICK OVER COPPER STRIKE
 4. PHOSPHOR BRONZE PER QQ-B-750

NO.	DESCRIPTION	MATERIAL	FINISH	Q'TY	DRAWING NO.	SCALE	4/1	ISSUE	A3	PART NO.		
	SHELL		NOTE 1	NOTE 2		DIMENSIONS ARE IN MILLIMETERS UNLESS OTHERWISE SPECIFIED TOLERANCES (一般公差) 0.5-6 = ±0.2 >6-30 = ±0.4 >30-120 = ±0.6 >120-315 = ±1 >315-1000 = ±1.6 ANGLES(角度) = ±5°						
	INSULATOR	DELFIN	WHITE							APPROVED	DATE	
	INSULATOR	DELFIN	WHITE							CHECKED	DATE	
	CONTACT PIN		NOTE 1	NOTE 3						DRAWN	DATE	
	CONTACT PIN		NOTE 4	NOTE 3								
	INSULATOR	P.P.	NATURAL									
	BODY		NOTE 1	NOTE 2								

TITLE
F PLUG TO JACK ADAPTOR

DRAWING NO. 7258NS700CH000B

FILE NO. Z:\MHD\7258\NS\700\000\7258NS700CH000B-A3