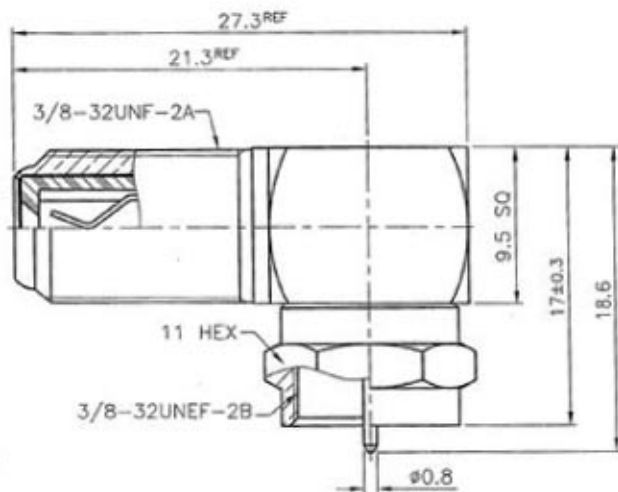


REVISIONS

ISS	SYMBOL	DESCRIPTION\DATE
A1		由R7255-BNDN001 规格书\10/17/06

REMARK: RoHS COMPLIANT
(符合 RoHS)

FOR CUSTOMER



SHELL	BRASS	NICKEL	
CONTACT PIN	BRASS	NICKEL	
INSULATOR	DELFIN	NATURAL	
INSULATOR	P.P.	WHITE	
INSULATOR	DELFIN	NATURAL	
BODY	BRASS	NICKEL	
BODY	BRASS	NICKEL	
CUBE BODY	BRASS	NICKEL	

DIMENSIONS ARE IN MILLIMETERS

PART NO.

UNLESS OTHERWISE SPECIFIED

TOLERANCES

(-RANGE)

0.5-6 = ±0.2

>6-30 = ±0.4

>30-120 = ±0.6

>120-315 = ±1

>315-1000 = ±1.6

ANGLES(度) = ±5'

APPROVED *Ark* DATE 10/17/06CHECKED *Ark* DATE 10/17/06DRAWN *Ark* DATE 10/17/06

TITLE

F R/A JACK TO PLUG ADAPTOR

DRAWING NO.

7258NR700CG000B

FILE NO. Z:\NND\7258\NF\700\000\7258NR700CG000B-A1