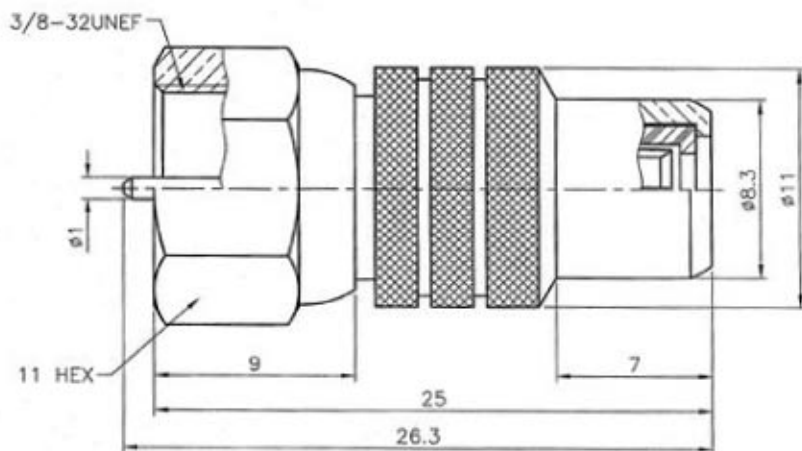


## REVISIONS

ISS	SYMBOL	DESCRIPTION\DATE
A1		由R7258-BN0N 型式轉來\01/16/09'

REMARK: RoHS COMPLIANT  
(符合 RoHS)

FOR CUSTOMER



NOTES: FINISH (PLATING THICKNESS IN MICRO-INCHES)  
1. BRASS PER QQ-B-626  
2. NICKEL PL 70 MIN THICK OVER COPPER STRIKE

					DIMENSIONS ARE IN MILLIMETERS		PART NO.	
					UNLESS OTHERWISE SPECIFIED TOLERANCES (-無公差)		APPROVED	
SHELL	NOTE 1	NOTE 2			0.5-6 = ±0.2	DATE	01/16/09'	TITLE
INSULATOR	DELTRIN	WHITE			>6-30 = ±0.4	CHECKED	DATE	F PLUG TO RCA JACK ADAPTOR
CONTACT PIN	NOTE 1	NOTE 2			>30-120 = ±0.6	DATE	01/16/09'	DRAWING NO.
INSULATOR	DELTRIN	WHITE			>120-315 = ±1	DRAWN	DATE	72P77JNS7CG000B
BODY	NOTE 1	NOTE 2			>315-1000 = ±1.6	DATE	01/16/09'	FILE NO.
					ANGLES(角度) = ±5°		A1	
NO.	DESCRIPTION	MATERIAL	FINISH	Q'TY	DRAWING NO.	SCALE	4/1	ISSUE
								A1

TITLE  
F PLUG TO RCA JACK ADAPTOR

DRAWING NO.  
72P77JNS7CG000B

FILE NO.  
Z:\NND\72P\77J\NS7\000\72P77JNS7CG000B-A1