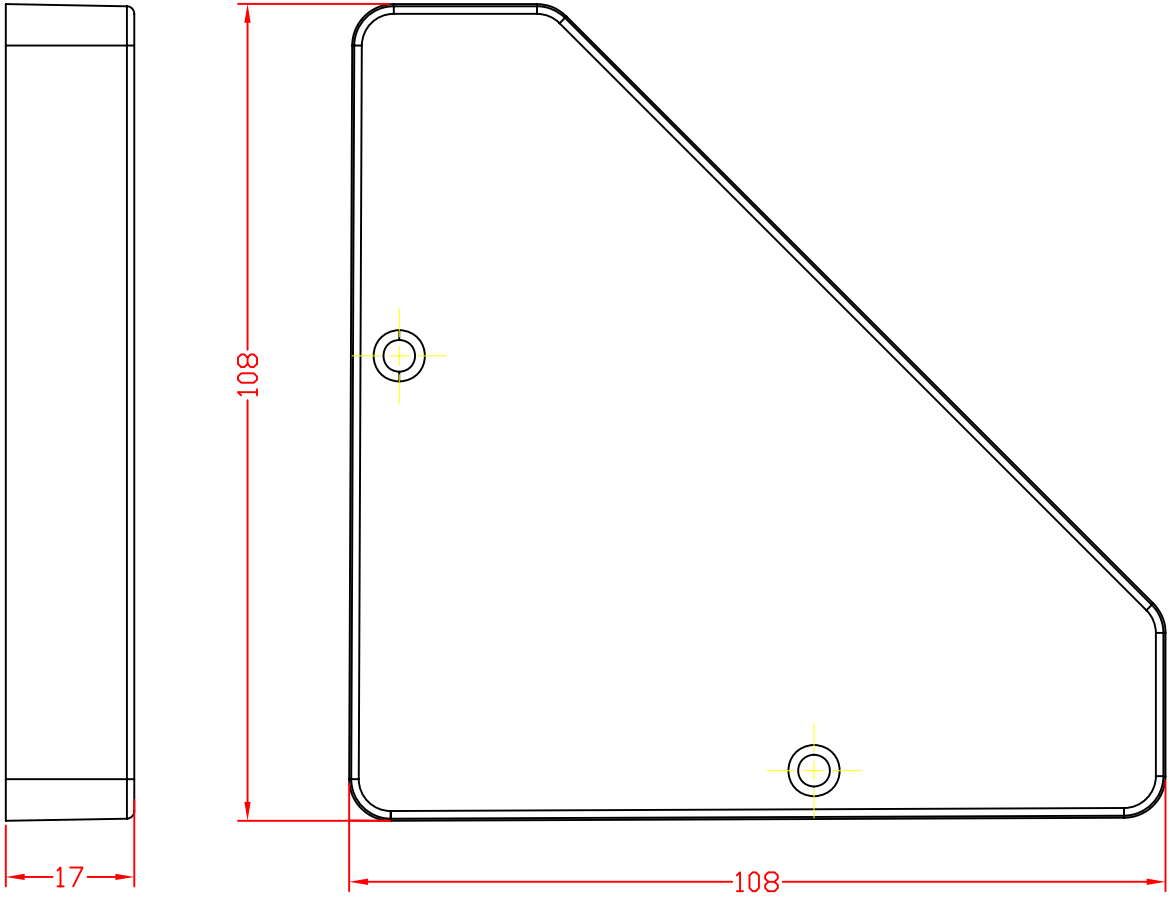
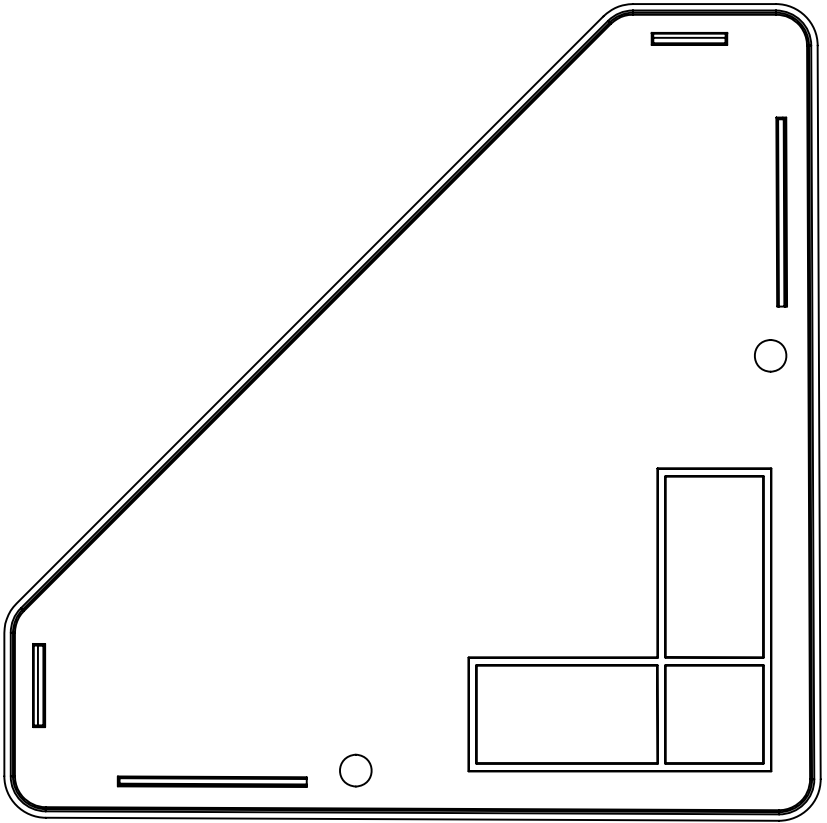


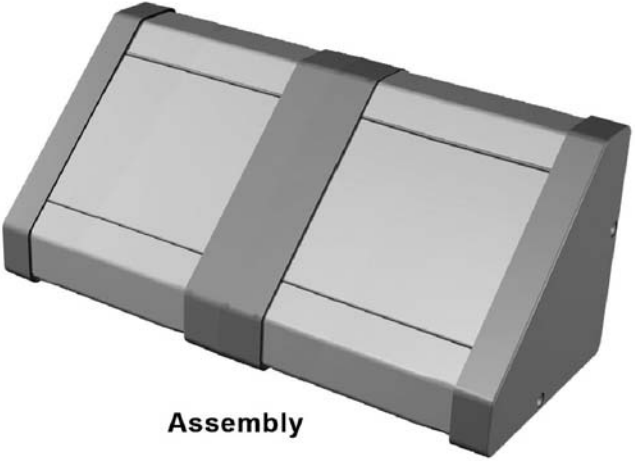
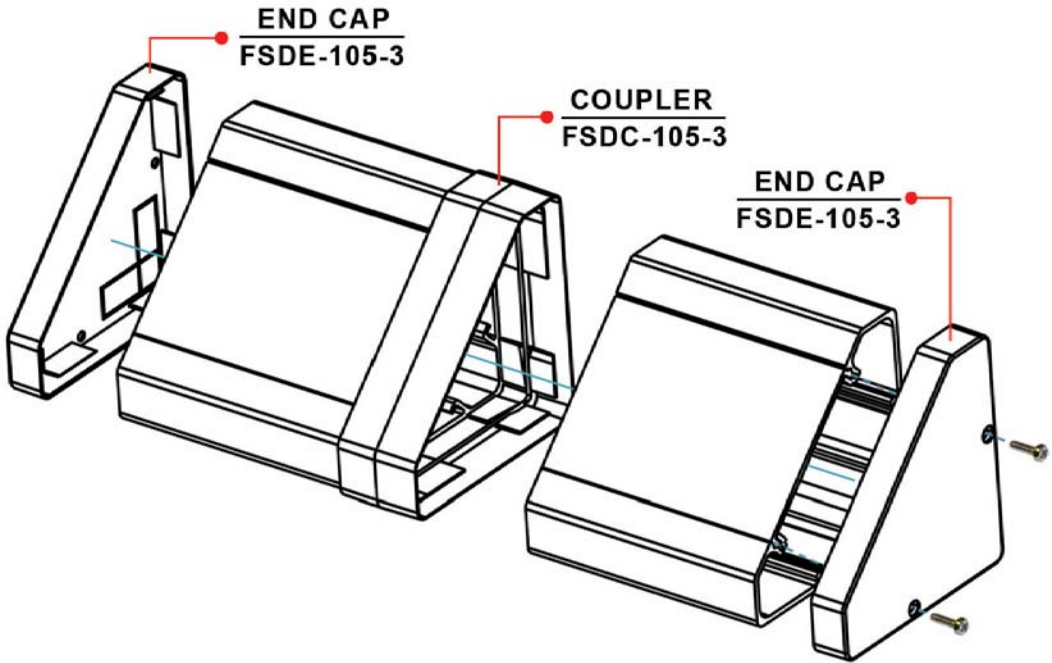
RevNo	Revision note	Rev-By	RevDate	Signature	Checked



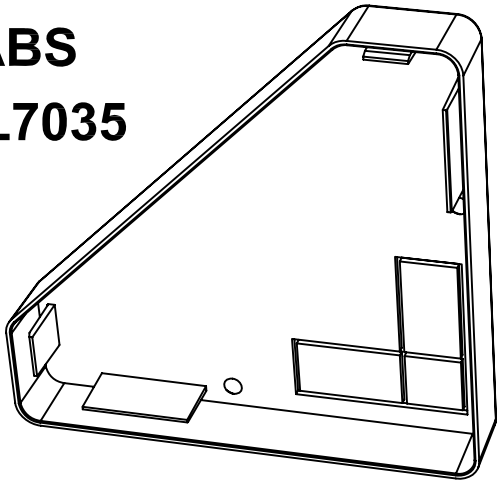
ITEM NO: FSDE-105-3 (END CAP RAL7035)



Material : ABS
Color : RAL7035



Assembly



ITEM NO.	FSDE-105-3 (END CAP RAL7035)			
CUSTOMER NO.				
DESIGNED BY	DATE	130319	UNIT	MM
ALEX	SCALE	1:1	VER.	1
NO.	Checked by			
APPR:	Approved by	-date		