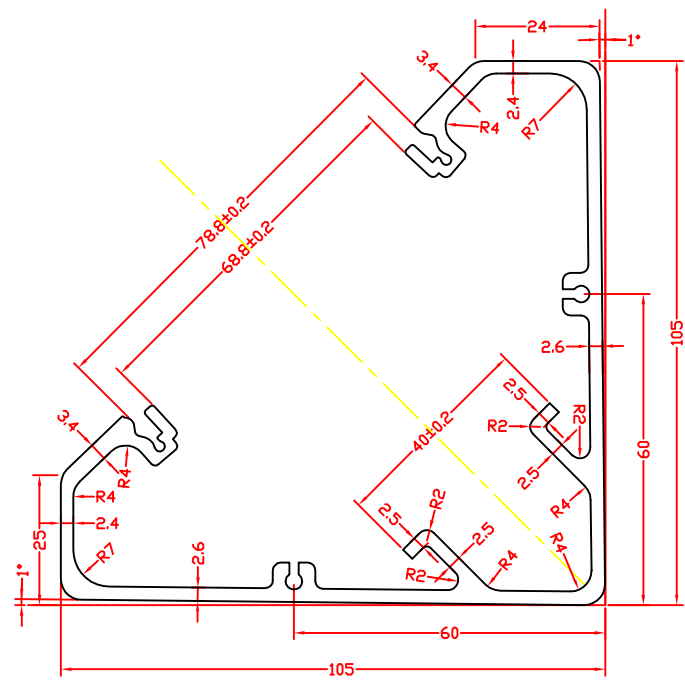
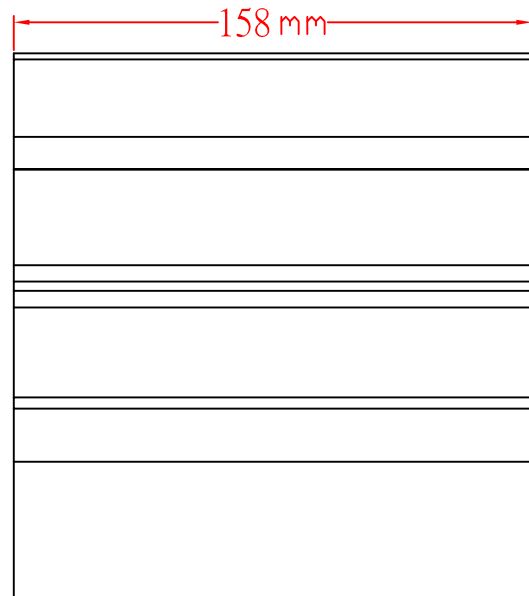
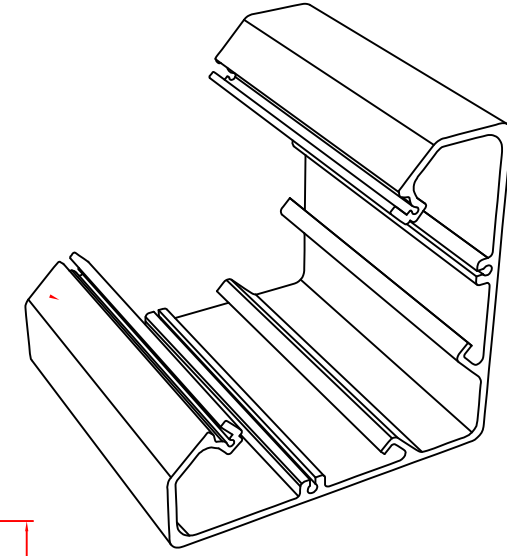


RevNo	Revision note	Rev-By	RevDate	Signature	Checked

**PART NO:**  
**ITEM NO: FTP-MEA-105D-158mm**



**材質: PVC**

ITEM NO.	FTP-MEA-105D-158mm			
PART NO.				
DESIGNED BY	DATE	190920	UNIT	MM
	SCALE	Free	VER.	1
NO.	Checked by			
APPR:	Approved by	-date		