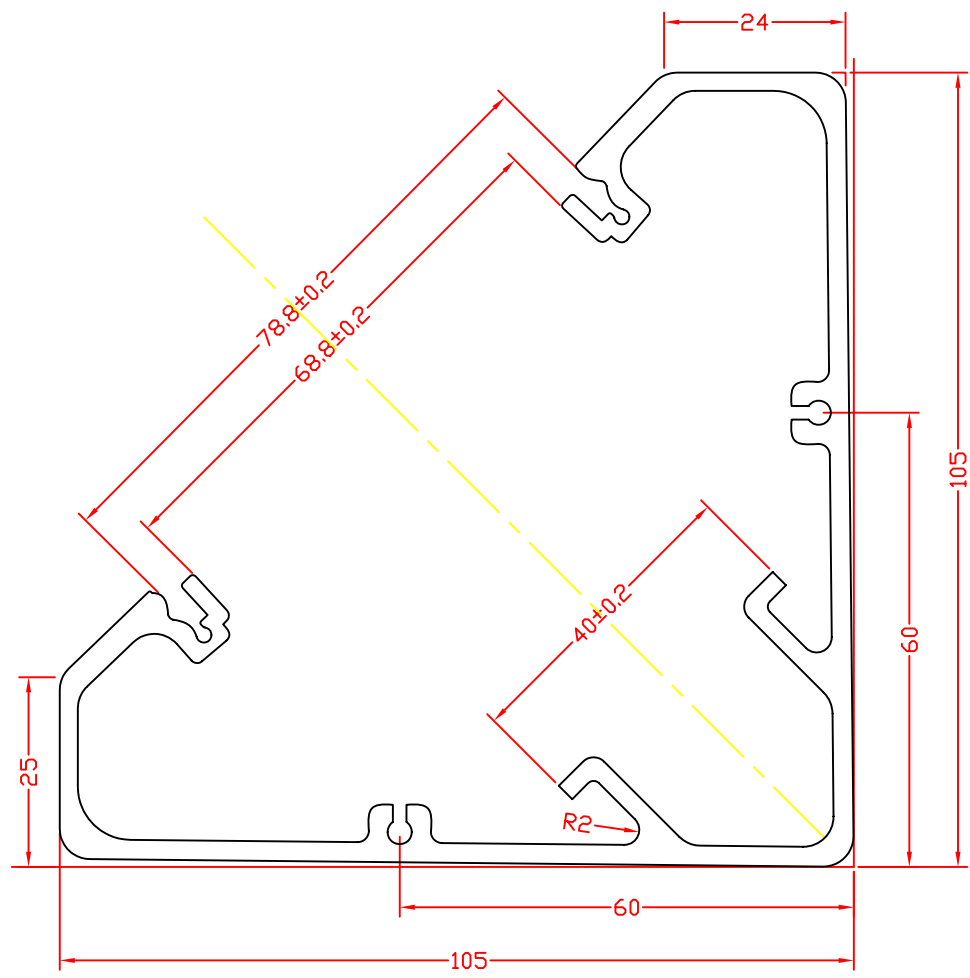
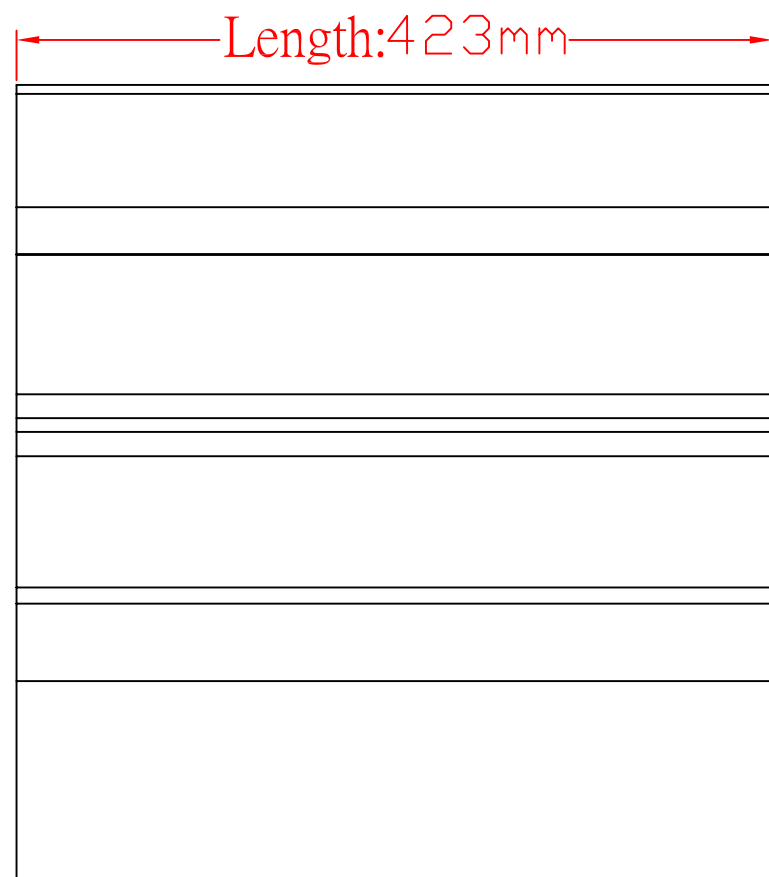
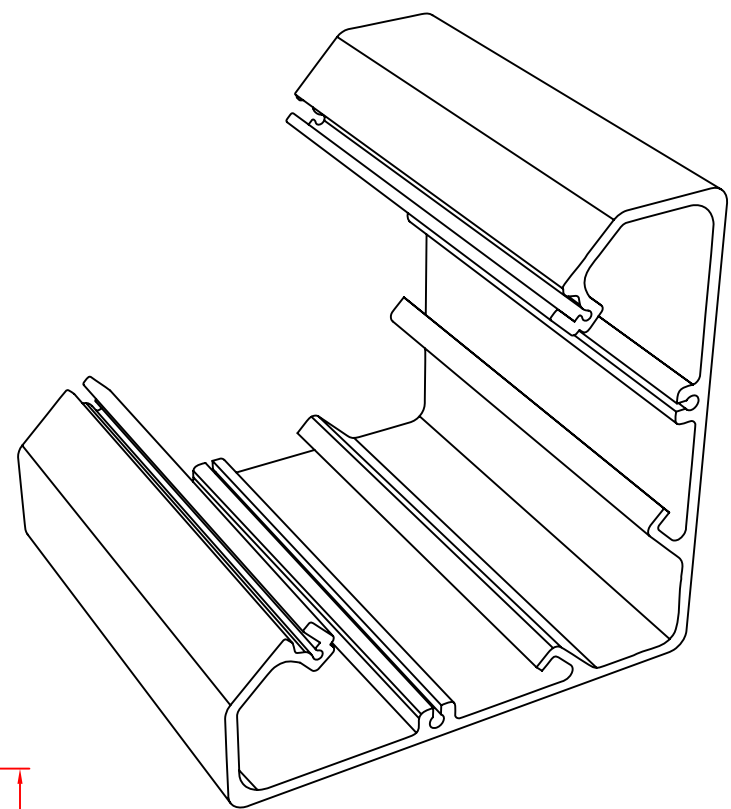


RevNo	Revision note	Rev-By	RevDate	Signature	Checked

**PVC TRUNKING SYSTEM**  
**ITEM NO: FTP-MEA105D-423MM (PVC TRUNK)**



**Material: PVC**  
**Color: RAL9010**

ITEM NO.	FTP-MEA105D-423MM (PVC TRUNK)			
CUSTOMER NO.				
DESIGNED BY	DATE	150422	UNIT	MM
ALEX	SCALE	1:1	VER.	1
NO.	Checked by			
APPR:	Approved by	-date		