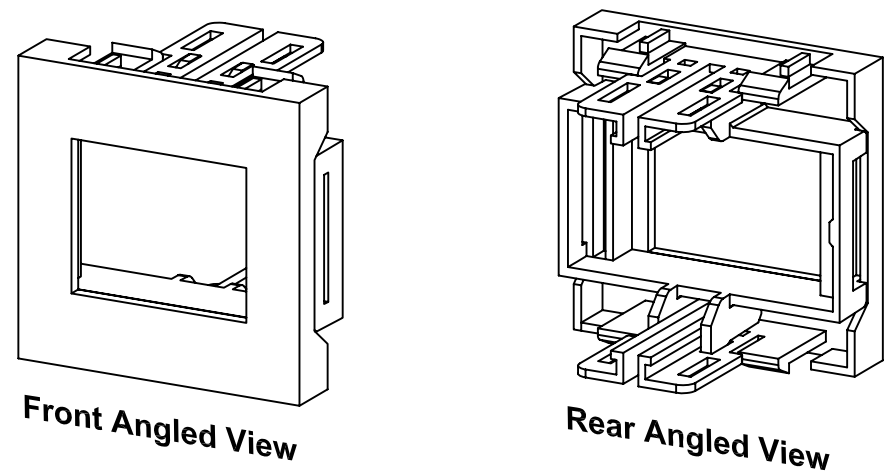


RevNo	Revision note	Rev-By	RevDate	Signature	Checked

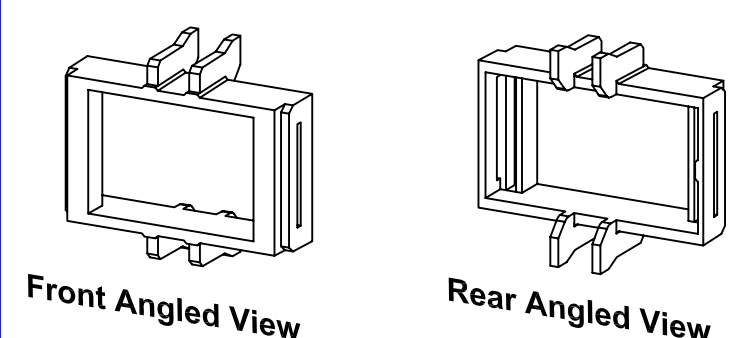
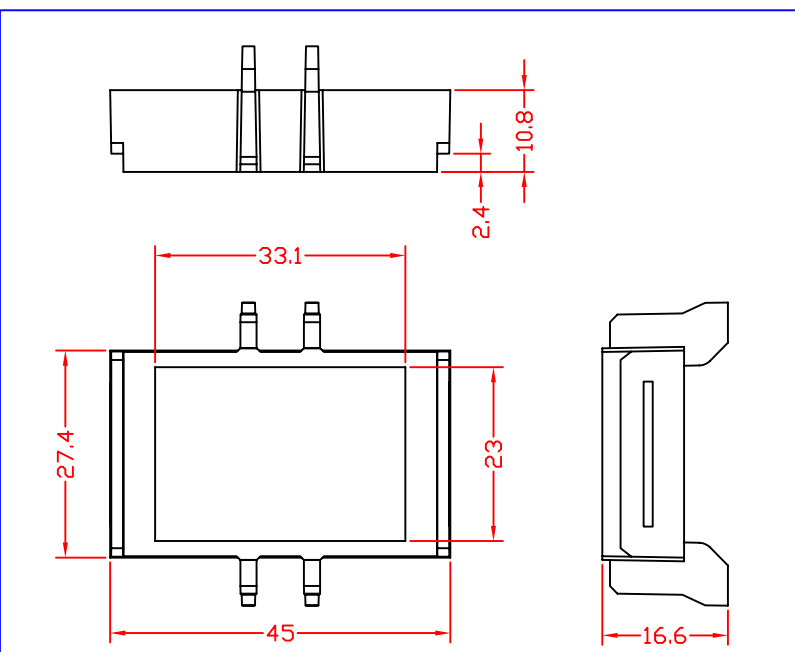
# REDUCER F45 → F28 MODULE

ITEM NO: FU-45-ADP



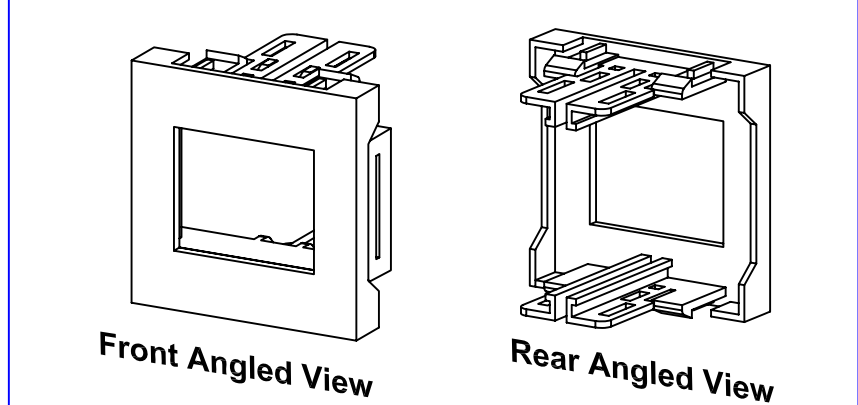
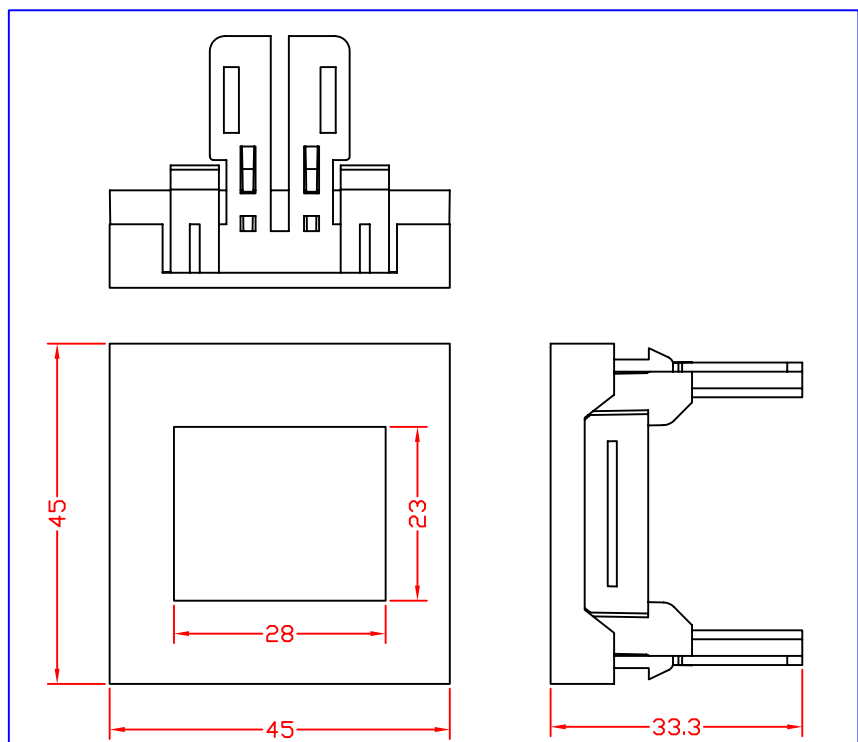
Assembly View

## PLS-FA-2400-4528 HOUSING



Material : ABS Color : RAL9010

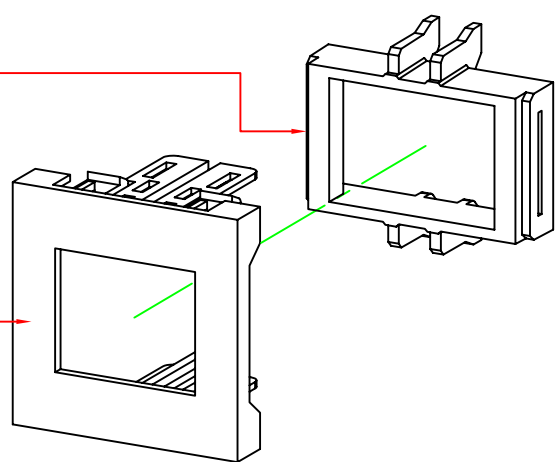
## PLS-FA-2420-45-4528



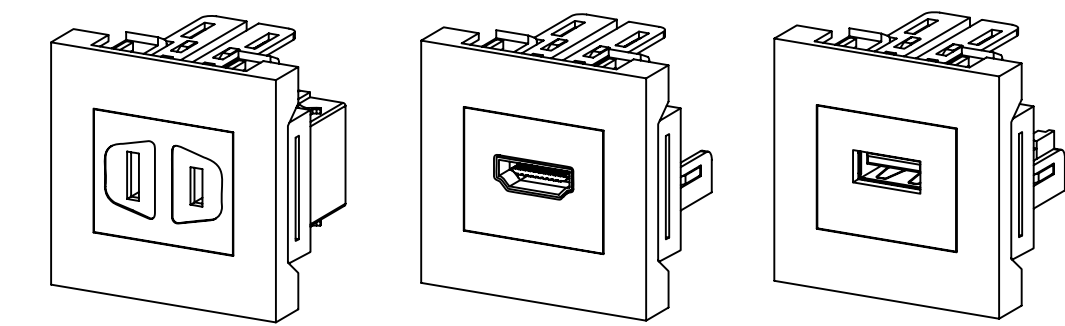
Material : ABS Color : RAL9010

PLS-FA-2400-4528

PLS-FA-2420-45-4528



Structure View



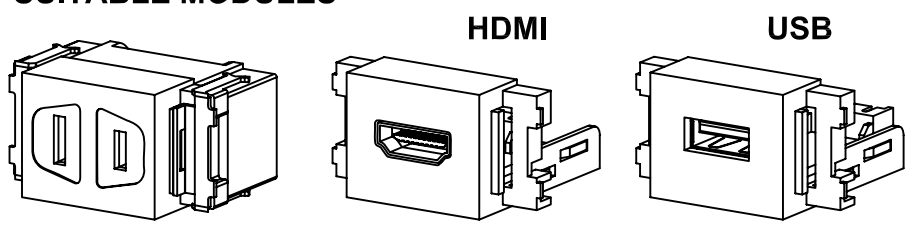
FA-2420-4528-P-Socket

FA-2420-4528-HDMI

FA-2420-4528-USB

Example View

### SUITABLE MODULES



Many Kind of "F28" Multi-Media Modules , Please Request!

ITEM NO.	FU-45-ADP			
CUSTOMER NO.				
DESIGNED BY	DATE	UNIT	MM	
ALEX	141224	1:1	VER.	1
NO.	Checked by			
APPR:	Approved by -date			