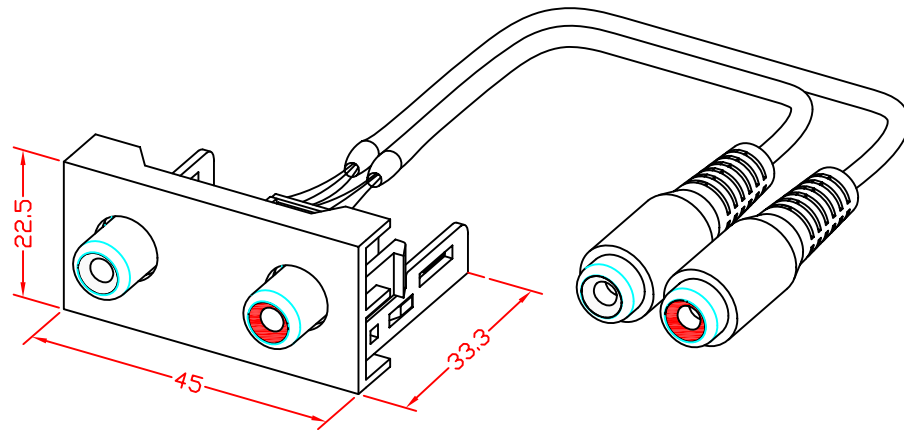


| RevNo | Revision note | Rev-By | RevDate | Signature | Checked |
|-------|---------------|--------|---------|-----------|---------|
|       |               |        |         |           |         |

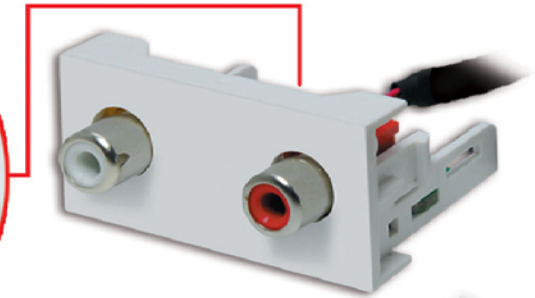
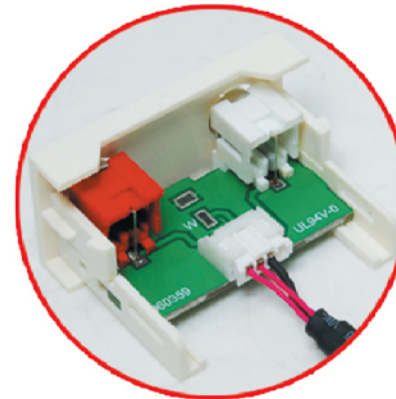


# MULTI-MEDIA PIN HEAD TYPE MODULE

ITEM NO: *FU-FH-2RCA-200*



Housing Material : ABS  
Housing Color : RAL9010



Female

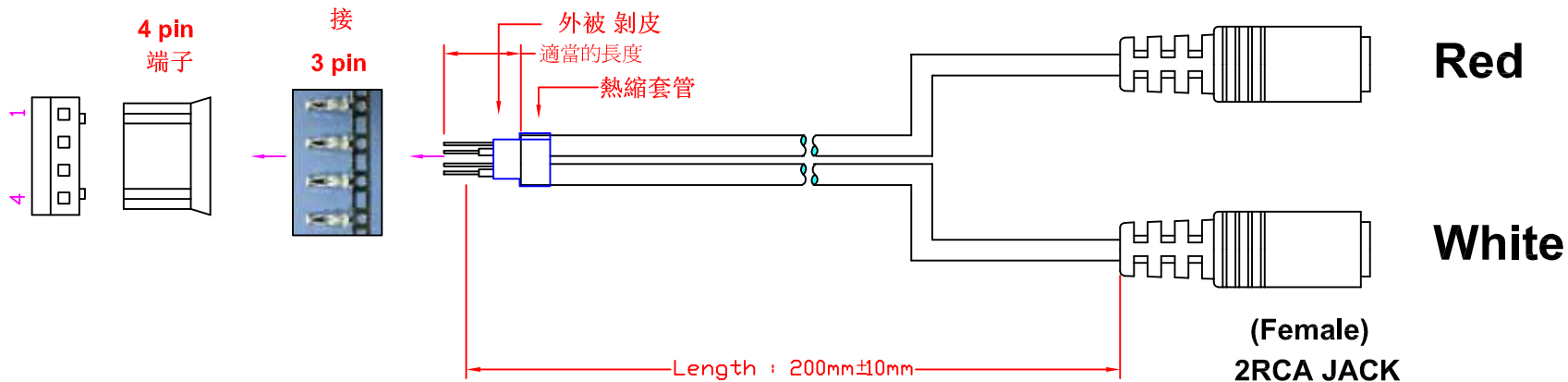


Stereo Audio Cable  
Type Module  
Cable Length : 20cm



|              |                   |      |    |  |
|--------------|-------------------|------|----|--|
| ITEM NO.     | FU-FH-2RCA-200    |      |    |  |
| CUSTOMER NO. |                   |      |    |  |
| DESIGNED BY  | DATE              | UNIT | MM |  |
| ALEX         | 141225            | MM   |    |  |
|              | SCALE             | VER. | 1  |  |
|              | 1:1               |      |    |  |
| NO.          | Checked by        |      |    |  |
| APPR:        | Approved by -date |      |    |  |

|       |               |        |         |           |         |
|-------|---------------|--------|---------|-----------|---------|
| RevNo | Revision note | Rev-By | RevDate | Signature | Checked |
|       |               |        |         |           |         |



**PIN OUT**

| 端子 | 2RCA (Female Cable) |            |
|----|---------------------|------------|
| 4  | 黃色                  | White      |
| 2  | 接地                  | W (Ground) |
| 3  | 紅色                  | Red        |
| 2  | 接地                  | R (Ground) |
| 1  | no connect          | N/A        |

|             |                   |        |      |    |
|-------------|-------------------|--------|------|----|
| ITEM NO.    |                   |        |      |    |
| PART NO.    |                   |        |      |    |
| DESIGNED BY | DATE              | 130514 | UNIT | MM |
| ALEX        | SCALE             | 1:1    | VER. | 1  |
| NO.         | Checked by        |        |      |    |
| APPR:       | Approved by -date |        |      |    |