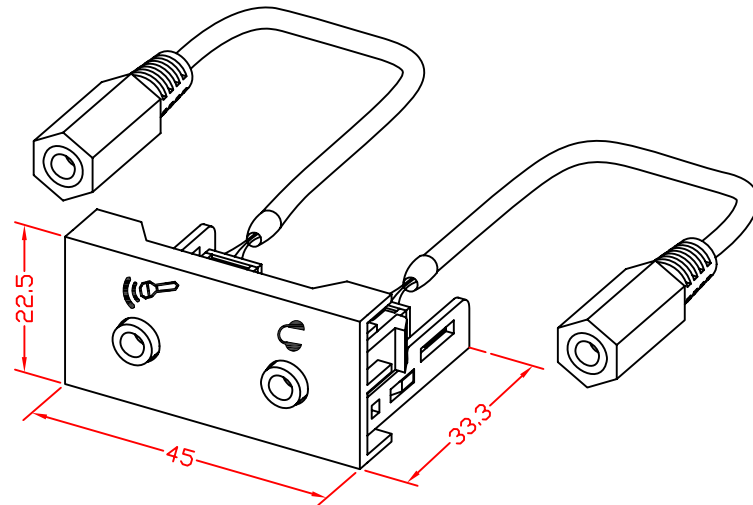


RevNo	Revision note	Rev-By	RevDate	Signature	Checked

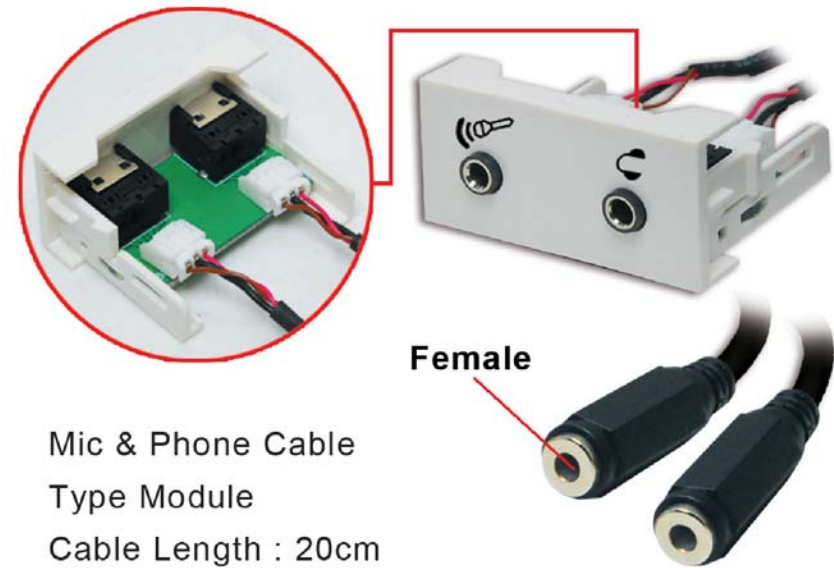


# MULTI-MEDIA PIN HEAD TYPE MODULE

## ITEM NO: FU-FH-35M2-200



**Housing Material : ABS**  
**Housing Color : RAL9010**



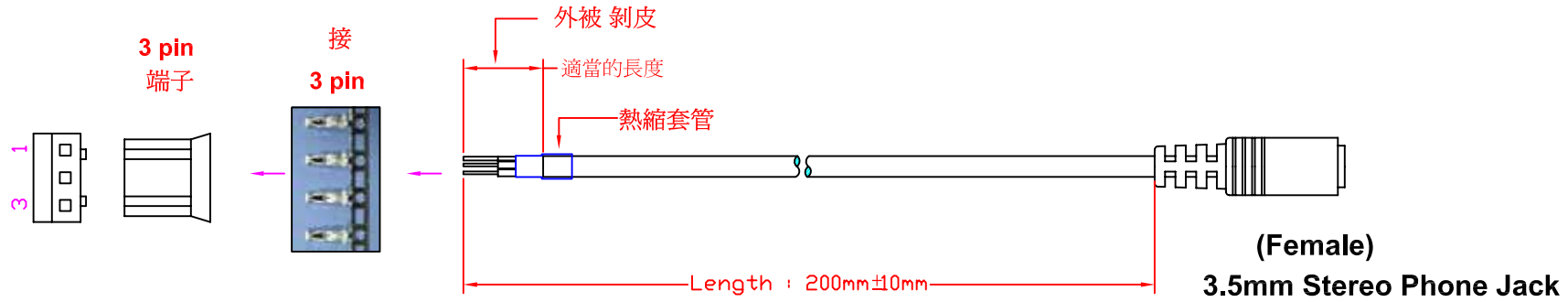
Mic & Phone Cable  
 Type Module  
 Cable Length : 20cm



ITEM NO.	FU-FH-35M2-200			
CUSTOMER NO.				
DESIGNED BY ALEX	DATE	141225	UNIT	MM
	SCALE	1:1	VER.	1
NO.	Checked by			
APPR:			Approved by -date	

**(2013.05.23 更新)**

RevNo	Revision note	Rev-By	RevDate	Signature	Checked



**PIN OUT**

端子	3.5mm Phone Jack(Female)
3	L
2	G (Ground)
1	R

ITEM NO.				
PART NO.				
DESIGNED BY	DATE	130514	UNIT	MM
ALEX	SCALE	1:1	VER.	1
NO.	Checked by			
APPR:	Approved by -date			