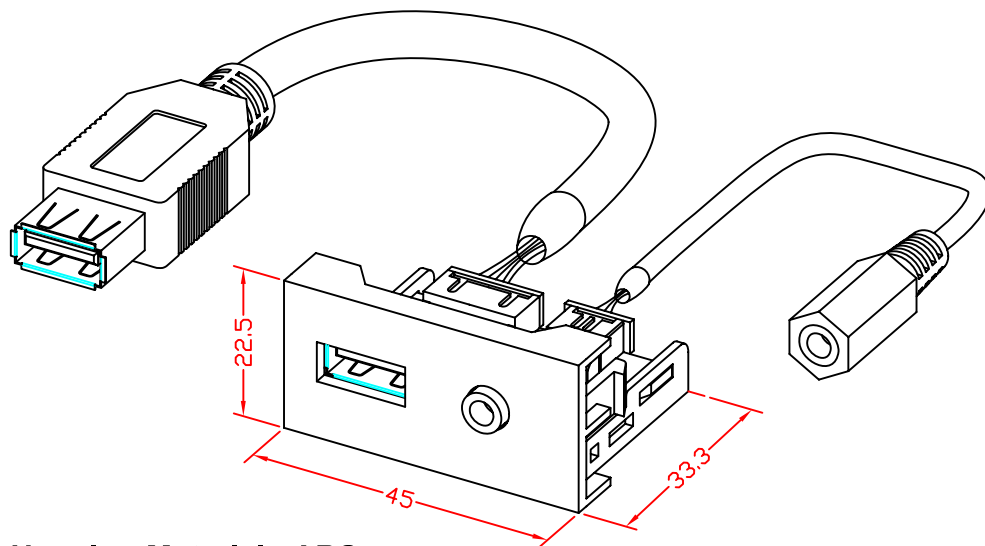


| RevNo | Revision note | Rev-By | RevDate | Signature | Checked |
|-------|---------------|--------|---------|-----------|---------|
| | | | | | |

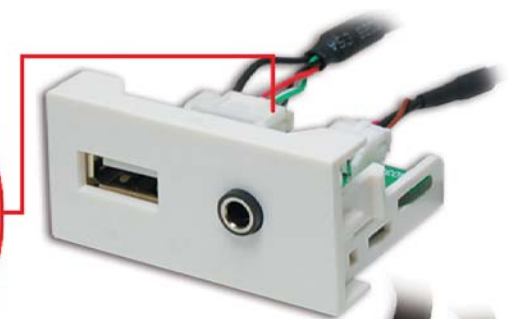


MULTI-MEDIA PIN HEAD TYPE MODULE

ITEM NO: *FU-FH-USBA-35M-200*



Housing Material : ABS
Housing Color : RAL9010



USB & Phone Jack Cable
Type Module
Cable Length : 20cm

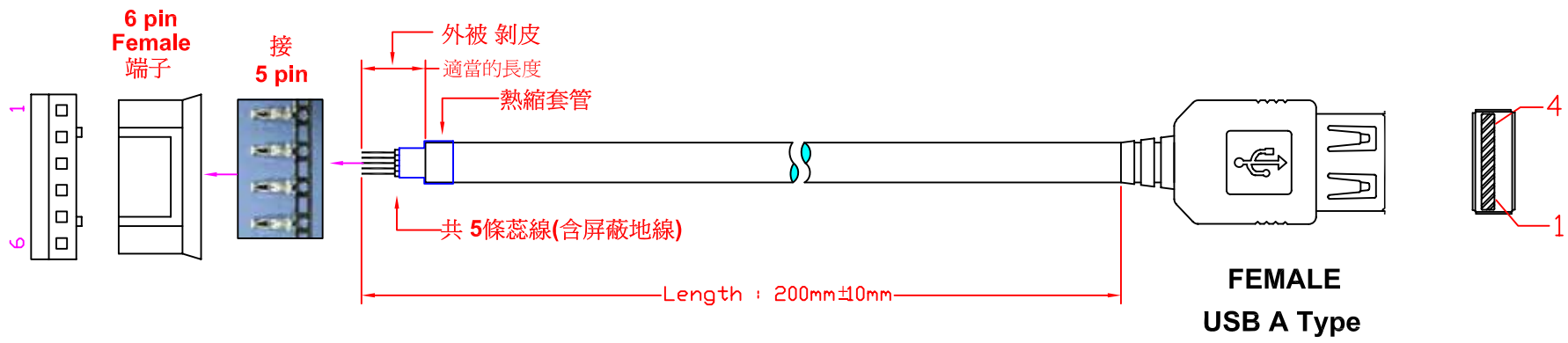
Female

Female



| | | | | |
|--------------|--------------------|------|----|--|
| ITEM NO. | FU-FH-USBA-35M-200 | | | |
| CUSTOMER NO. | | | | |
| DESIGNED BY | DATE | UNIT | MM | |
| ALEX | 141225 | VER. | 1 | |
| NO. | Checked by | | | |
| APPR: | Approved by -date | | | |

| | | | | | |
|-------|---------------|--------|---------|-----------|---------|
| RevNo | Revision note | Rev-By | RevDate | Signature | Checked |
| | | | | | |



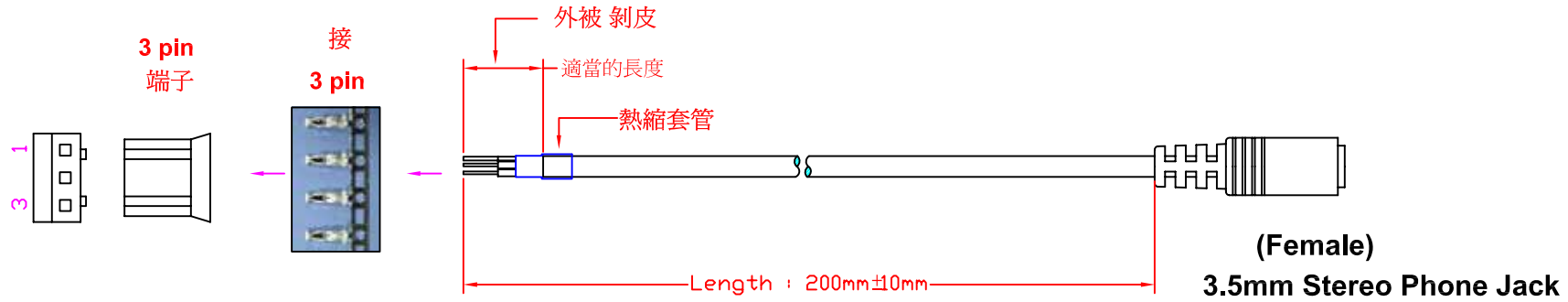
PIN OUT

| 端子 | USB A Type (Female) | |
|----|---------------------|--------------|
| 6 | No connect | N/A |
| 2 | 紅色 | 1 (V Bus) |
| 3 | 白色 | 2 (D-) |
| 4 | 綠色 | 3 (D+) |
| 5 | 黑色 | 4 (Ground) |
| 1 | 外殼 | G (Shielded) |

| | | | | |
|-------------|-------------------|--------|------|----|
| ITEM NO. | | | | |
| PART NO. | | | | |
| DESIGNED BY | DATE | 130514 | UNIT | MM |
| ALEX | SCALE | 1:1 | VER. | 1 |
| NO. | Checked by | | | |
| APPR: | Approved by -date | | | |

(2013.05.23 更新)

| RevNo | Revision note | Rev-By | RevDate | Signature | Checked |
|-------|---------------|--------|---------|-----------|---------|
| | | | | | |



PIN OUT

| 端子 | 3.5mm Phone Jack(Female) |
|----|--------------------------|
| 3 | L |
| 2 | G (Ground) |
| 1 | R |

| | | | | |
|-------------|-------------------|--------|------|----|
| ITEM NO. | | | | |
| PART NO. | | | | |
| DESIGNED BY | DATE | 130514 | UNIT | MM |
| ALEX | SCALE | 1:1 | VER. | 1 |
| NO. | Checked by | | | |
| APPR: | Approved by -date | | | |