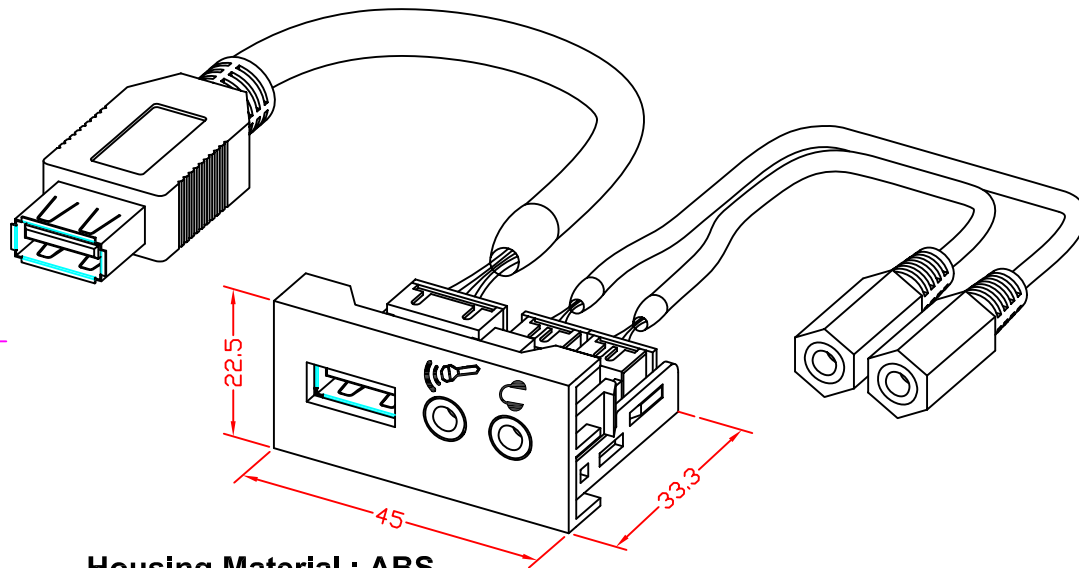


| RevNo | Revision note | Rev-By | RevDate | Signature | Checked |
|-------|---------------|--------|---------|-----------|---------|
|       |               |        |         |           |         |



# MULTI-MEDIA PIN HEAD TYPE MODULE

ITEM NO: *FU-FH-USBA-35M2-200*



Housing Material : ABS  
Housing Color : RAL9010

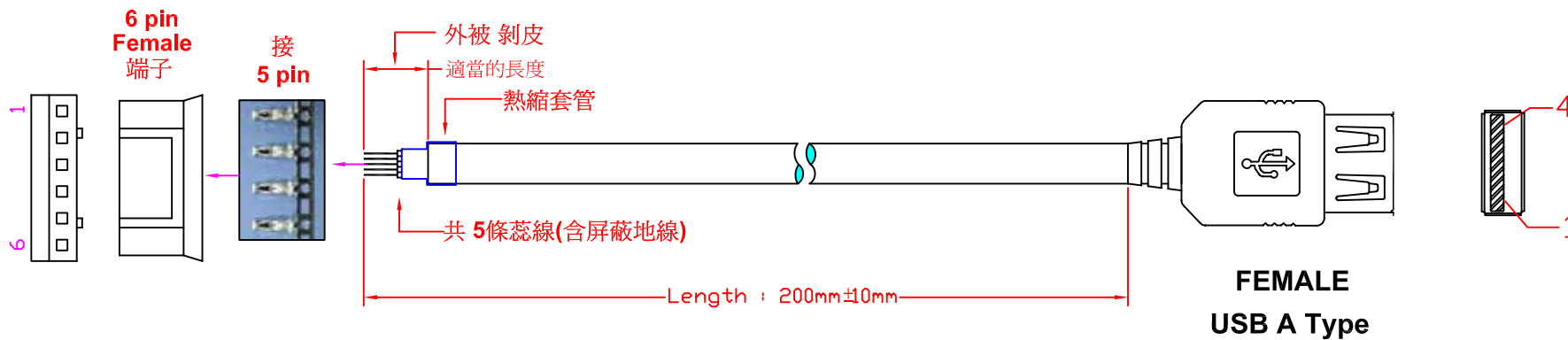


USB & Mic & Phone Cable  
Type Module  
Cable Length : 20cm



|                     |                     |        |      |    |
|---------------------|---------------------|--------|------|----|
| ITEM NO.            | FU-FH-USBA-35M2-200 |        |      |    |
| CUSTOMER NO.        |                     |        |      |    |
| DESIGNED BY<br>ALEX | DATE                | 141225 | UNIT | MM |
|                     | SCALE               | 1:1    | VER. | 1  |
| NO.                 | Checked by          |        |      |    |
| APPR:               | Approved by -date   |        |      |    |

| RevNo | Revision note | Rev-By | RevDate | Signature | Checked |
|-------|---------------|--------|---------|-----------|---------|
|       |               |        |         |           |         |



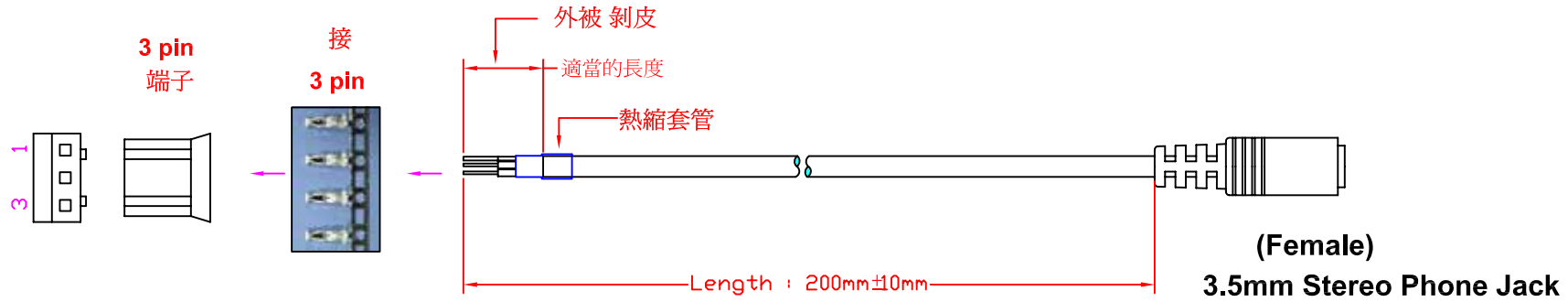
### PIN OUT

| 端子 | USB A Type (Female) |              |
|----|---------------------|--------------|
| 6  | No connect          | N/A          |
| 2  | 紅色                  | 1 ( V Bus)   |
| 3  | 白色                  | 2 ( D-)      |
| 4  | 綠色                  | 3 ( D+)      |
| 5  | 黑色                  | 4 (Ground)   |
| 1  | 外殼                  | G (Shielded) |

|             |                   |        |      |    |
|-------------|-------------------|--------|------|----|
| ITEM NO.    |                   |        |      |    |
| PART NO.    |                   |        |      |    |
| DESIGNED BY | DATE              | 130514 | UNIT | MM |
| ALEX        | SCALE             | 1:1    | VER. | 1  |
| NO.         | Checked by        |        |      |    |
| APPR:       | Approved by -date |        |      |    |

**(2013.05.23 更新)**

| RevNo | Revision note | Rev-By | RevDate | Signature | Checked |
|-------|---------------|--------|---------|-----------|---------|
|       |               |        |         |           |         |



**PIN OUT**

| 端子 | 3.5mm Phone Jack(Female) |
|----|--------------------------|
| 3  | L                        |
| 2  | G (Ground)               |
| 1  | R                        |

|             |                   |        |      |    |
|-------------|-------------------|--------|------|----|
| ITEM NO.    |                   |        |      |    |
| PART NO.    |                   |        |      |    |
| DESIGNED BY | DATE              | 130514 | UNIT | MM |
| ALEX        | SCALE             | 1:1    | VER. | 1  |
| NO.         | Checked by        |        |      |    |
| APPR:       | Approved by -date |        |      |    |