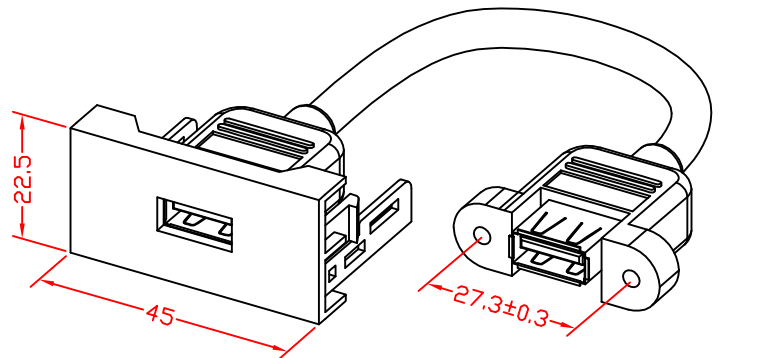


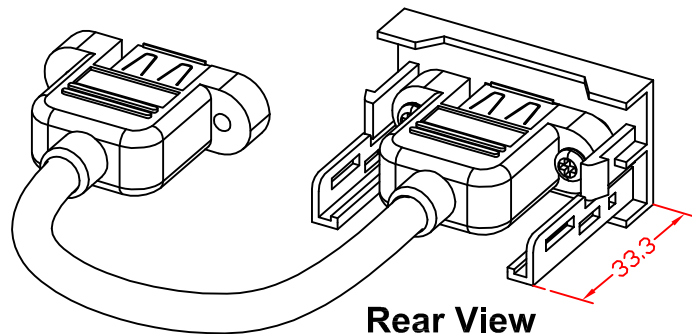
RevNo	Revision note	Rev-By	RevDate	Signature	Checked

USB A CABLE TYPE - FEMALE to FEMALE MODULE

ITEM NO: FA-2420-PP-USB-A-F/F-20CM



Front View



Rear View

FEATURES:

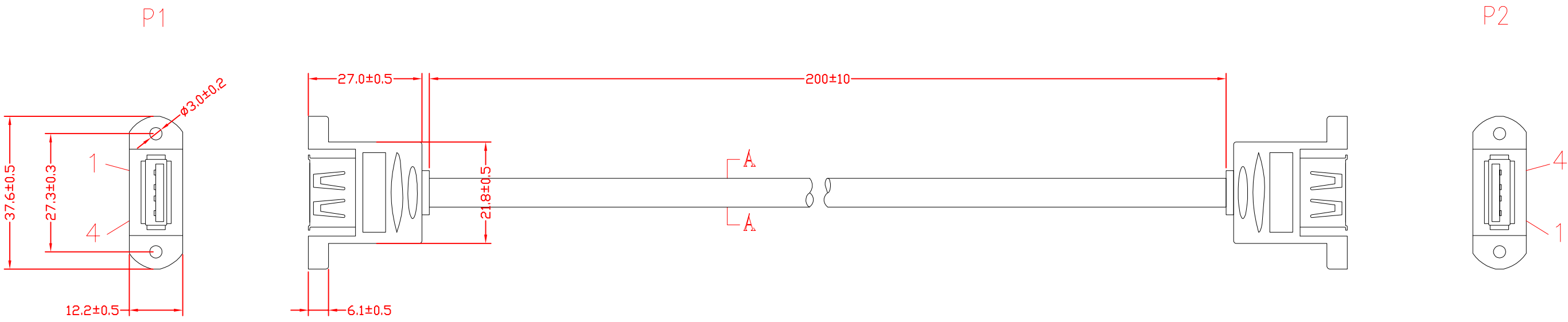
- USB A Cable Type Female to Female Module
- Cable Length : 20cm
- Material : ABS
- Color : RAL9010
- Size: 22.5 x 45 x 33.3 mm



ITEM NO.	FA-2420-PP-USB-A-F/F-20CM			
CUSTOMER NO.				
DESIGNED BY	DATE	160120	UNIT	MM
ALEX	SCALE	1:1	VER.	1
NO.	Checked by			
APPR:	Approved by -date			

RevNo	Revision note	Rev-By	RevDate	Signature	Checked

ITEM NO: FW-405-USB-AF/AF-20CM

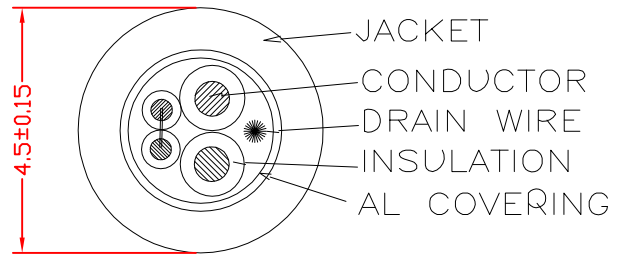


USB (Female)

USB (Female)

PIN ASSIGNMENT

P1	COLOR	P2	AWG
1	RED	1	24
2	WHITE	2	28
3	GREEN	3	28
4	BLACK	4	24
SHELL	SHIELD	SHELL	



SEC:A-A

ELECTRICAL TEST:
 1.100% OPEN SHORT MIS-WIRE TEST
 2.CONTACT TESTSTANCE:2 ohm Max
 3.INSULATION RESISTANCE:5M ohm Min
 4.HI-POT:300V DC/10ms

ITEM NO.	FW-405-USB-AF/AF-20CM			
PART NO.				
DESIGNED BY	DATE	160120	UNIT	MM
Ash	SCALE	X:X	VER.	1
NO.	Checked by			
APPR:	Approved by	-date		