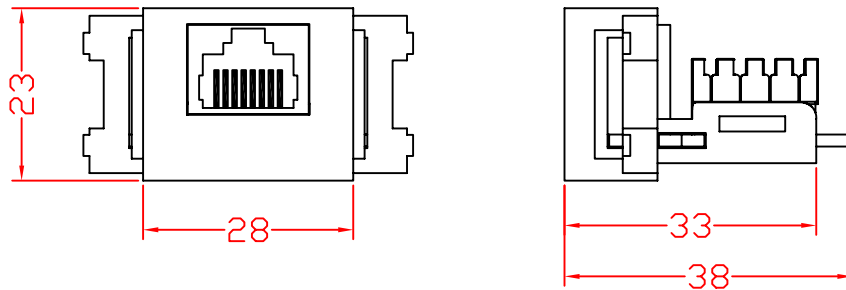
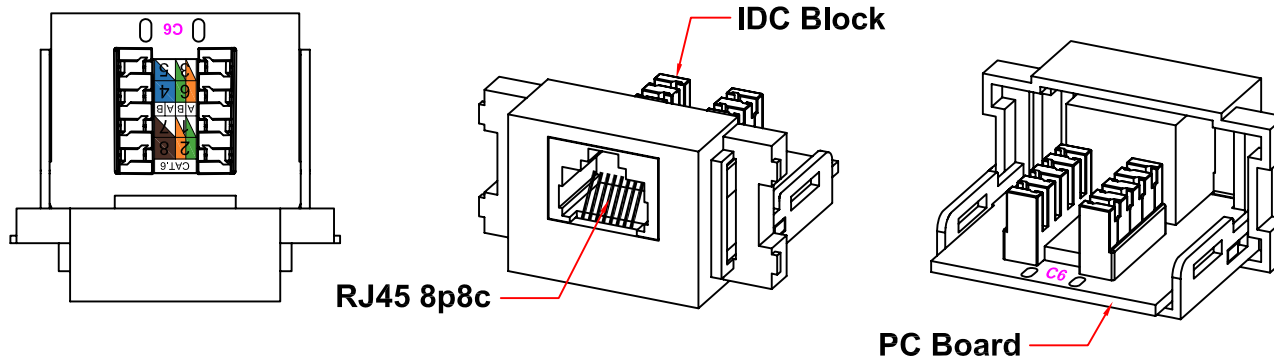


RevNo	Revision note	Rev-By	RevDate	Signature	Checked



# RJ45 8P8C - CAT.6 MODULE

## ITEM NO: FU-RJ45-C6



**FEATURES:**

- RJ45 8p8c - Cat.6 Module
- LSA IDC Terminal Block
- Material : ABS
- Color : RAL9010
- Size: 28 x 23 x 38mm

ITEM NO.					
PART NO.					
DESIGNED BY ALEX	DATE	150330	UNIT	MM	
	SCALE	1:1	VER.	1	
NO.		Checked by			
APPR:		Approved by -date			