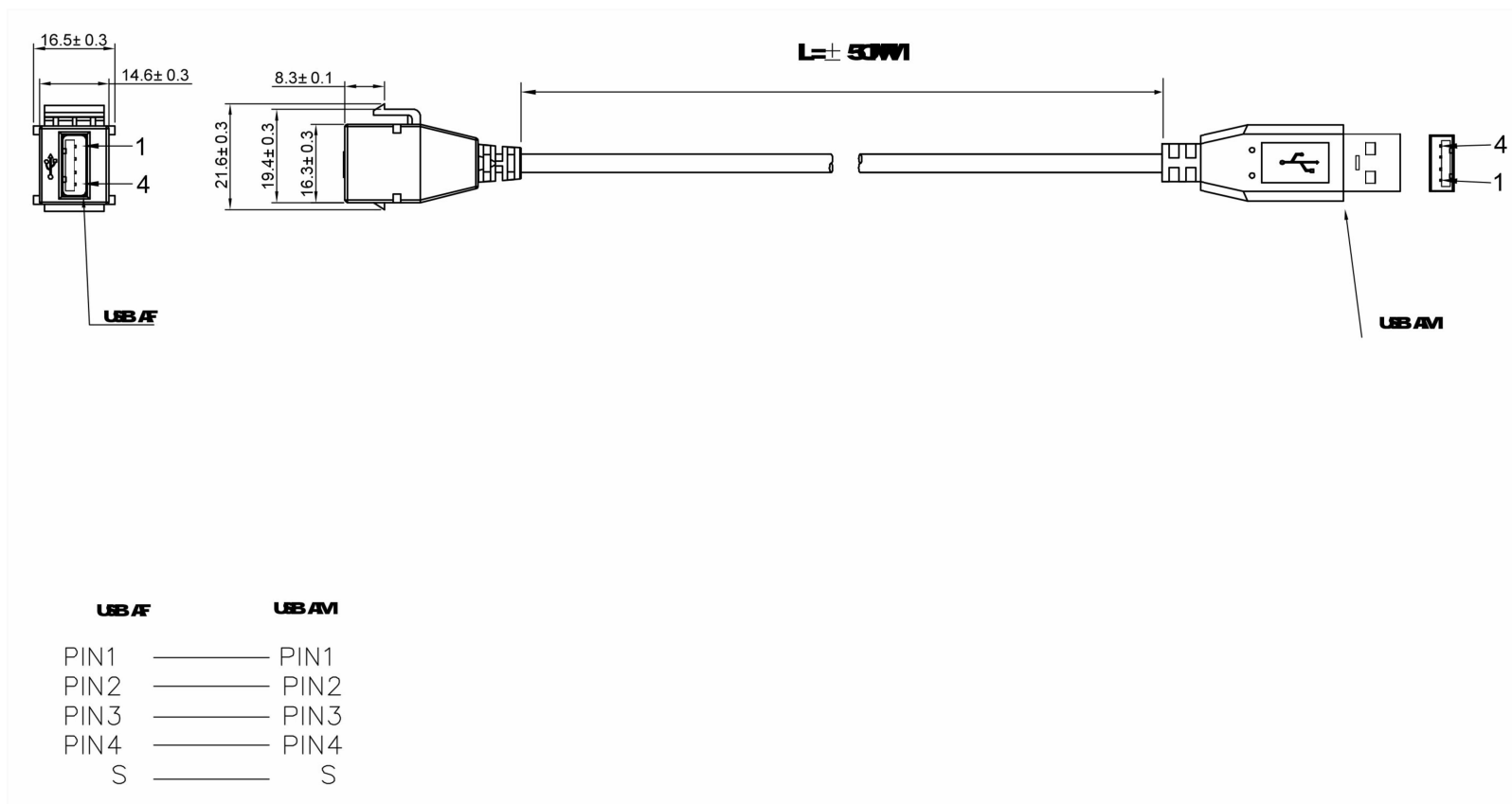


RevNo	Revision note	Rev-By	RevDate	Signature	Checked



ITEM NO: FW-406-USB2-AM-X



FW-406-USB2-AM-1 L=1000MM
FW-406-USB2-AM-3 L=3000MM

ITEM NO.	FW-406-USB2-AM-X			
PART NO.	30104060093			
DESIGNED BY Tsai	DATE	190403	UNIT	MM
	SCALE	XXX	VER.	1
NO.		Checked by		
APPR:		Approved by -date		