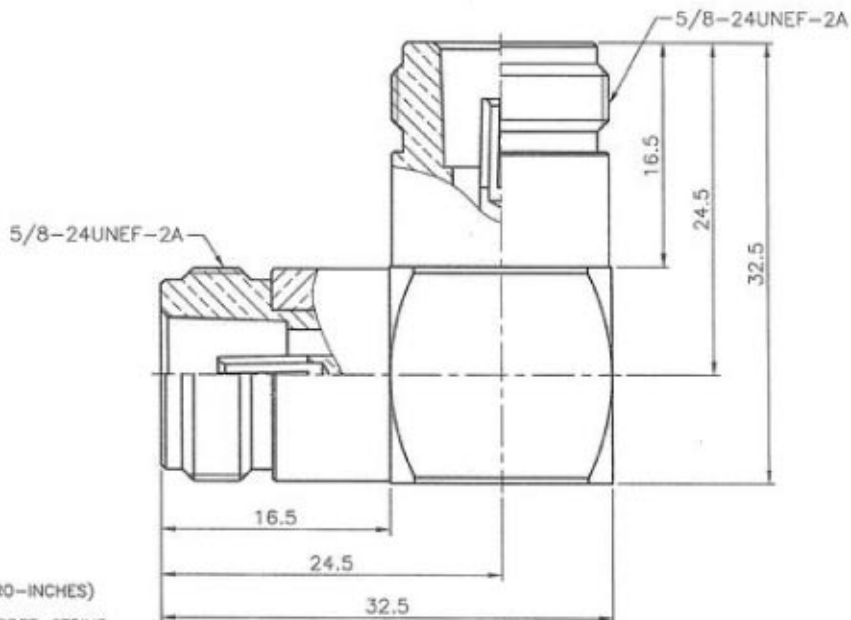


REVISIONS

ISS	SYMBOL	DESCRIPTION	DATE
A1		由BJ-7336-88BNTG 型式轉來	04/08/09'

REMARK: RoHS COMPLIANT
(符合 RoHS)

FOR CUSTOMER



NOTES: FINISH (PLATING THICKNESS IN MICRO-INCHES)

- BRASS PER QQ-B-626
- NICKEL PL 70 MIN THICK OVER COPPER STRIKE
- GOLD PL 3 MIN OVER NICKEL PL 70 MIN THICK OVER COPPER STRIKE
- TEFLON MIL-P-1946B
- PHOSPHOR BRONZE PER QQ-B-750

				DIMENSIONS ARE IN MILLIMETERS		PART NO.	
BODY	NOTE 1	NOTE 2		UNLESS OTHERWISE SPECIFIED TOLERANCES (一般公差) 0.5-6 = ±0.3 >6-30 = ±0.4 >30-120 = ±0.6 >120-315 = ±1 >315-1000 = ±1.6 ANGLES(角度) = ±5°		APPROVED	DATE
BODY	NOTE 1	NOTE 2				<i>[Signature]</i>	04/08/09'
INSULATOR	NOTE 4	WHITE				CHECKED	DATE
CONTACT PIN	NOTE 5	NOTE 3				<i>[Signature]</i>	04/08/09'
CUBE BODY	NOTE 1	NOTE 2				DRAWN	DATE
NO.	DESCRIPTION	MATERIAL	FINISH	Q'TY	DRAWING NO.	SCALE 2.5/1	ISSUE A1
							<i>[Signature]</i> 04/08/09'

TITLE		DRAWING NO.	
N R/A JACK TO JACK ADAPTOR		7378NR500BF000B	
FILE NO.		Z:\NND\7378\NR\500\000\7378NR500BF000B-A1	