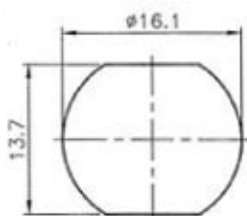
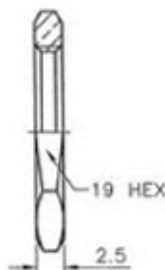
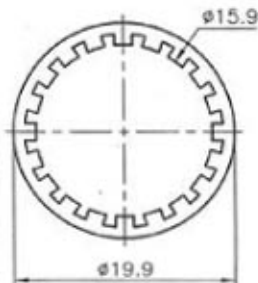
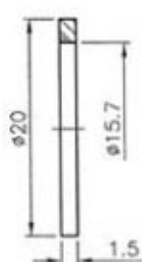
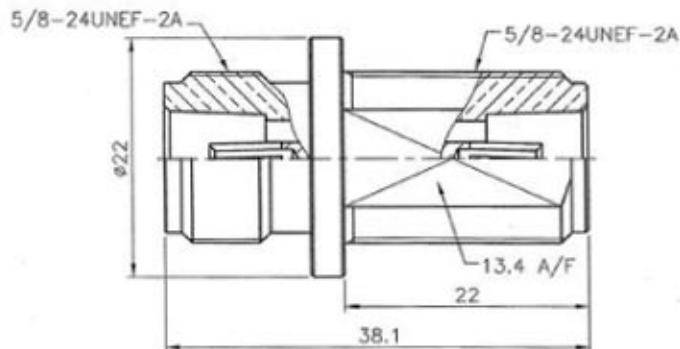


REVISIONS	
ISS	SYMBOL
	DESCRIPTION DATE

REMARK: RoHS COMPLIANT  
(符合 RoHS)

FOR CUSTOMER



RECOMMENDED  
MOUNTING HOLE  
(建議安裝孔)

1. MAX. PANEL THICKNESS=6.5mm  
(最大板厚)

NOTES: FINISH (PLATING THICKNESS IN MICRO-INCHES)

- BRASS PER QQ-B-626
- NICKEL PL 70 MIN THICK OVER COPPER STRIKE
- GOLD PL 3 MIN OVER NICKEL PL 70 MIN THICK OVER COPPER STRIKE
- TEFLON MIL-P-19468
- PHOSPHOR BRONZE PER QQ-B-750

NO.	DESCRIPTION	MATERIAL	FINISH	Q'TY	DRAWING NO.	SCALE	2/1	ISSUE	A1
	NUT		NOTE 1	NOTE 2					
	WASHER	SS41	NOTE 1	NOTE 2					
	GASKET	SILICONE	RED						
	BODY		NOTE 1	NOTE 2					
	CONTACT PIN		NOTE 5	NOTE 3					
	INSULATOR		NOTE 4	WHITE					
	BODY		NOTE 1	NOTE 2					

DIMENSIONS ARE IN MILLIMETERS  
UNLESS OTHERWISE SPECIFIED  
TOLERANCES  
(一般公差)  
0.5~6 = ±0.2  
>6~30 = ±0.4  
>30~120 = ±0.6  
>120~315 = ±1  
>315~1000 = ±1.6  
ANGLES(角度) = ±5°

PART NO.	
APPROVED	DATE
<i>[Signature]</i>	09/07/06
CHECKED	DATE
<i>[Signature]</i>	09/07/06
DRAWN	DATE
<i>[Signature]</i>	09/07/06

TITLE

N JACK TO BULKHEAD JACK ADAPTOR

DRAWING NO.

7378CS500BF000B

FILE NO. Z:\HND\7378\CS\500\000\BFB-A1