

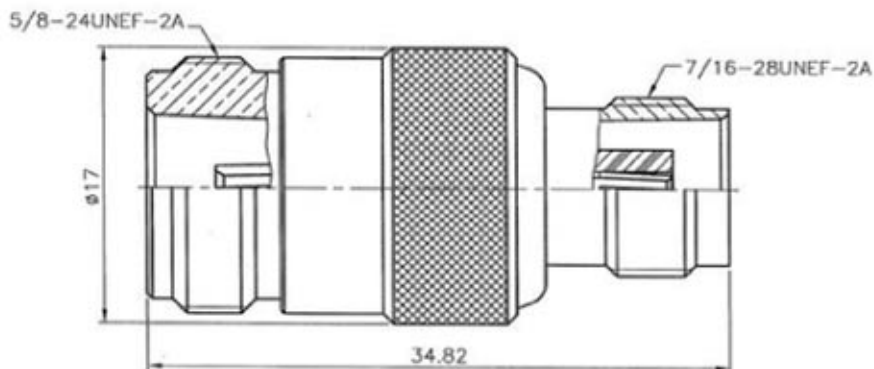
REVISIONS

DESCRIPTION\DATE

ISS SYMBOL

REMARK: RoHS COMPLIANT
(符合 RoHS)

FOR CUSTOMER



NOTES: FINISH (PLATING THICKNESS IN MICRO-INCHES)

1. BRASS PER QQ-B-626
2. NICKEL PL 70 MIN THICK OVER COPPER STRIKE
3. GOLD PL 3 MIN OVER NICKEL PL 70 MIN THICK OVER COPPER STRIKE
4. TEFLON MIL-P-19468
5. PHOSPHOR BRONZE PER QQ-B-750

				DIMENSIONS ARE IN MILLIMETERS		PART NO.	
				UNLESS OTHERWISE SPECIFIED TOLERANCES		APPROVED	
				(一般公差)		DATE	
BODY	NOTE 1	NOTE 2		0.5-6	= ±0.2	<i>Avel</i>	02/11/10'
CONTACT PIN	NOTE 5	NOTE 3		>6-30	= ±0.4	<i>Avel</i>	02/11/10'
INSULATOR	NOTE 4	WHITE		>30-120	= ±0.6	<i>Avel</i>	02/11/10'
BODY	NOTE 1	NOTE 2		>120-315	= ±1		
				>315-1000	= ±1.6		
				ANGLES(角度) = ±5°		DRAWN	DATE
NO.	DESCRIPTION	MATERIAL	FINISH	QTY	DRAWING NO.	SCALE	DATE
						3/1	02/11/10'
						ISSUE	A1

TITLE

N JACK TO TNC JACK ADAPTOR

DRAWING NO.

73J74JNS5BF000B

FILE NO. Z:\IND\73J\74J\NS5\000\73J74JNS5BF000B-A1