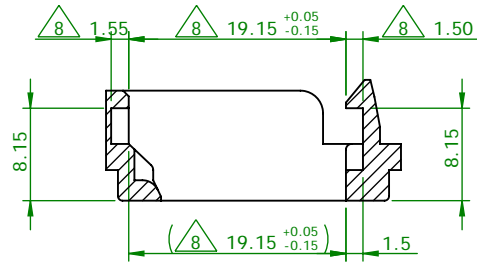
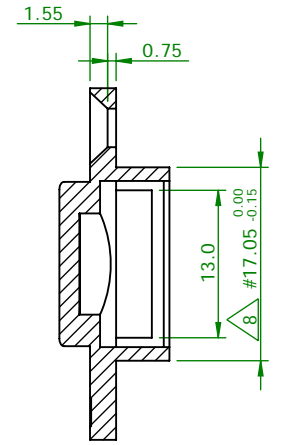
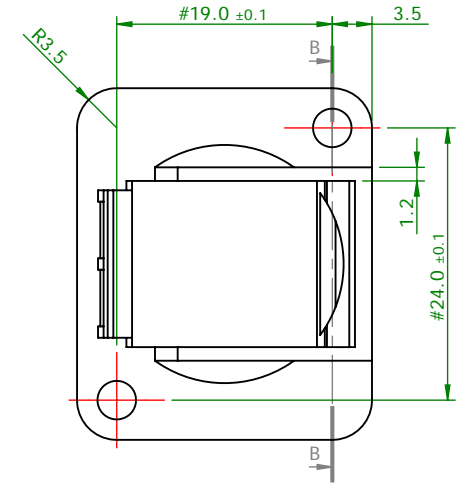
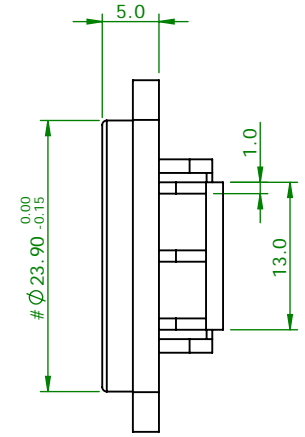
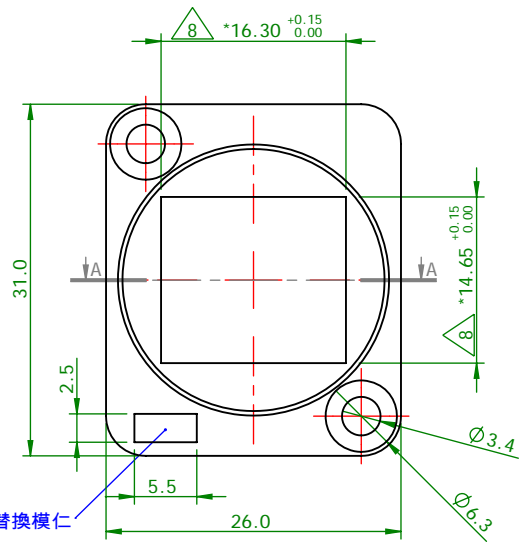
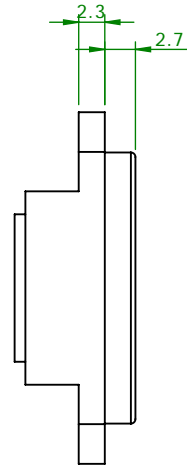
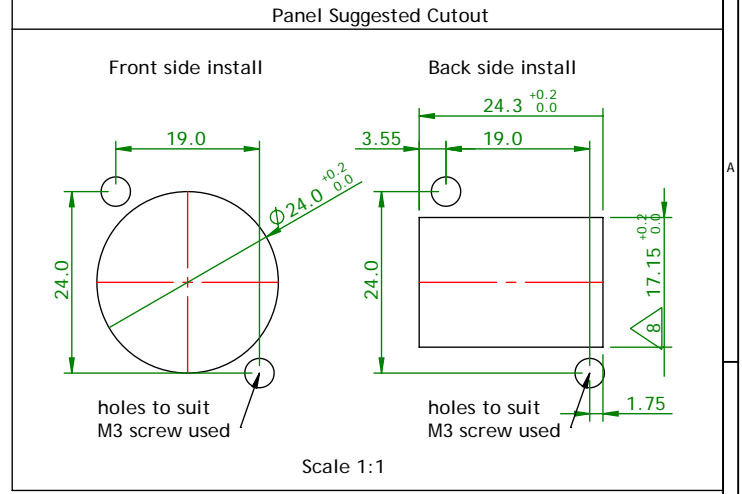
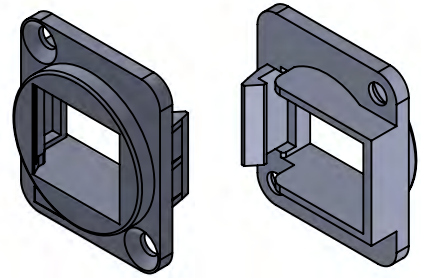


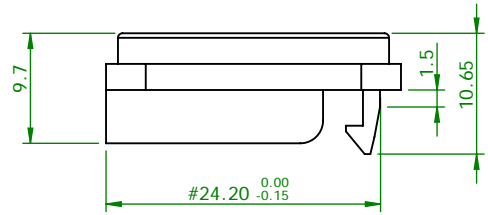
Reference Only



Section A-A

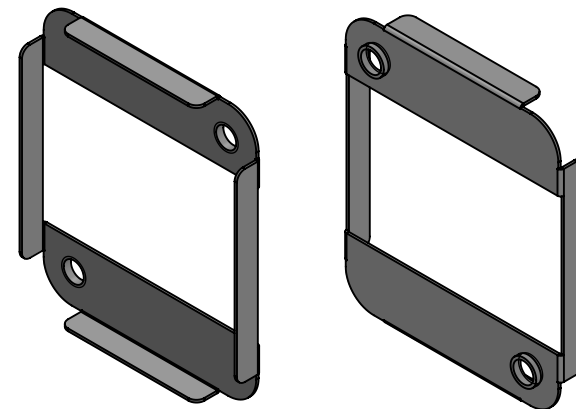
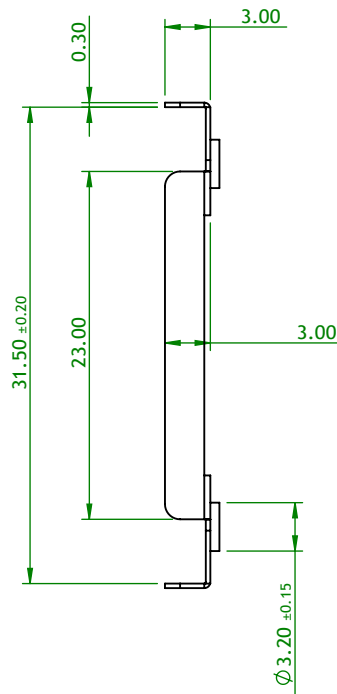
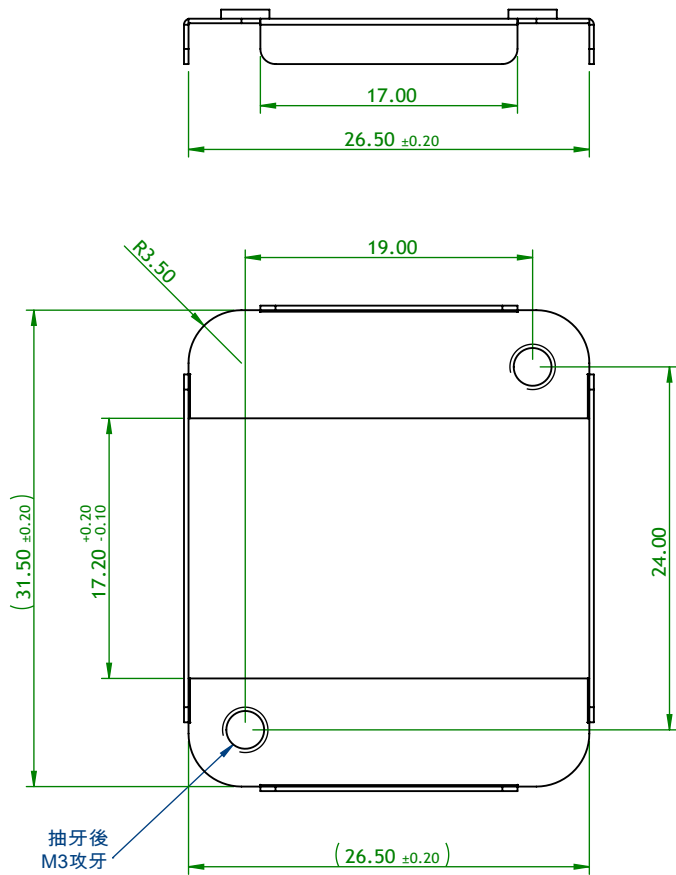


Section B-B



MATERIAL  
Frame: PC, UL94V-0  
RoHS 2 compliant

DRAWN BY					PART NO. 3013BUSXLRBK			REV. A8	
APPROVED BY									
UNIT: mm [inch]					CUSTOMER P/N.				
TOLERANCES:									
-20	-50	-150	150~	ANGLE	DATE 2019/10/24				
±0.2	±0.4	±0.5	±1.5	±2°					
REV.	DESCRIPTION	DATE	3rd Angle Projection		DATE	SCALE	SHEET		
					2019/10/24	3:2	1/1		



MATERIAL  
Stainless Plate: SUS 304, t=0.3mm  
RoHS 2 compliant

2	Enlarge tolerance	2020/02/25
1	First edition	2020/01/31
REV.	DESCRIPTION	DATE

DRAWN BY				PART NO.		REV.
APPROVED BY				A-XLRPLATE		2
UNIT: mm [inch]				DES.		
TOLERANCES:				DATE		
X.X	±0.1	#	Matching Dim	2020/02/25		
X.XX	±0.05	*	Important Dim	SCALE	SHEET	
3rd Angle Projection				1:1	1/1	