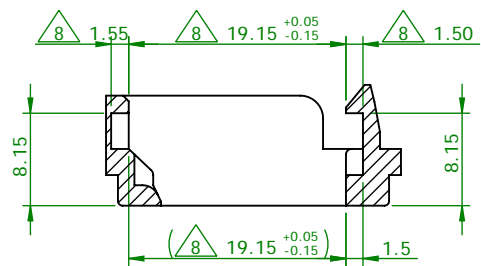
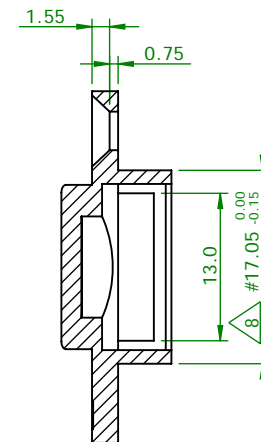
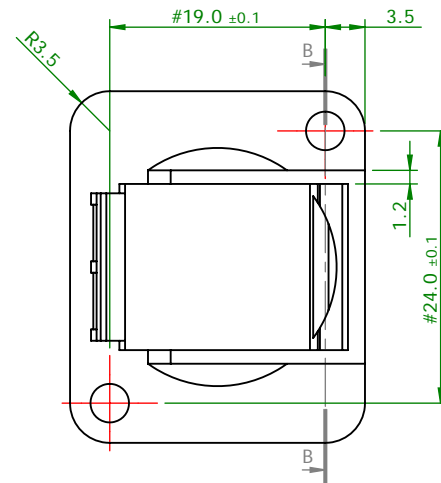
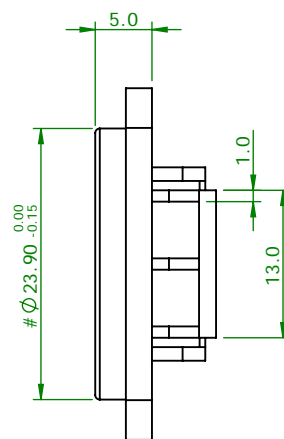
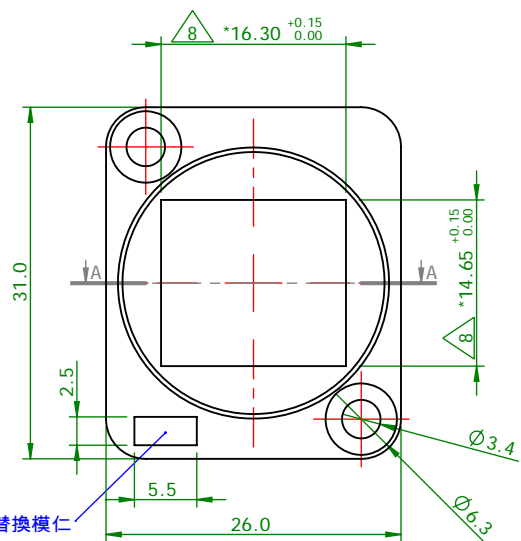
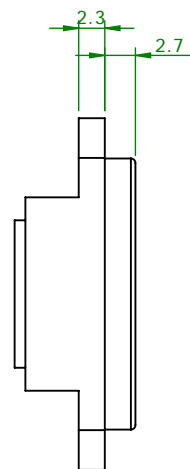
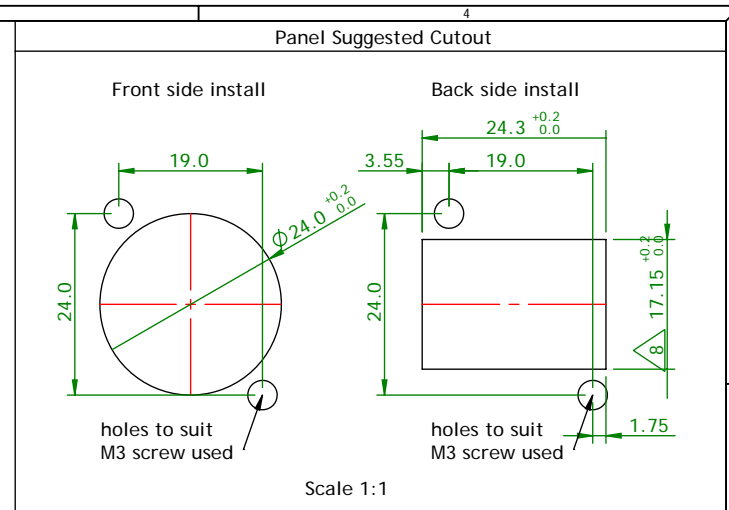
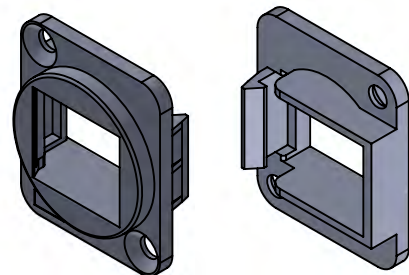


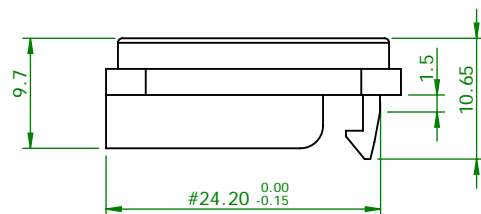
Reference Only



Section A-A



Section B-B



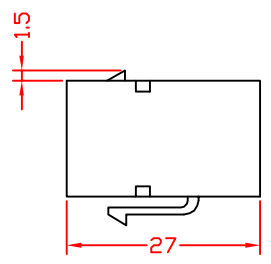
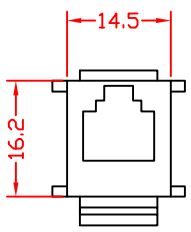
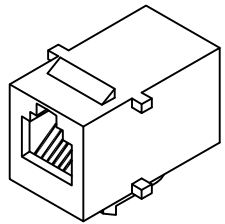
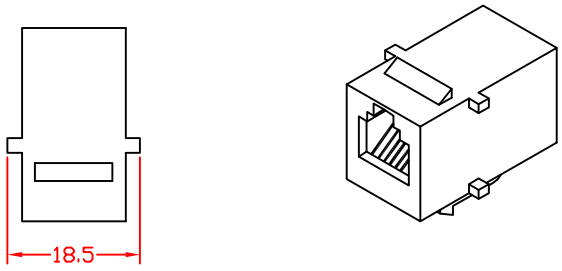
MATERIAL
Frame: PC, UL94V-0
RoHS 2 compliant



DRAWN BY					PART NO.			REV.
APPROVED BY					3013BUSXLRBK			A8
UNIT: mm [inch]					CUSTOMER P/N.			
TOLERANCES:								
-20	-50	-150	150~	ANGLE				
±0.2	±0.4	±0.5	±1.5	±2°				
3rd Angle Projection					DATE	SCALE	SHEET	
					2019/10/24	3:2	1/1	

REV.	DESCRIPTION	DATE

RevNo	Revision note	Rev-By	RevDate	Signature	Checked

**THROUGH COUPLER -PANEL MOUNT JACK
ITEM NO: FA-396-6-BK (6P6C)**



ITEM NO.	FA-396-6-C3			
CUSTOMER NO.				
DESIGNED BY ALEX	DATE	050809	UNIT	MM
	SCALE	1:1	VER.	1
NO.	 	Checked by		
APPR:		Approved by -date		