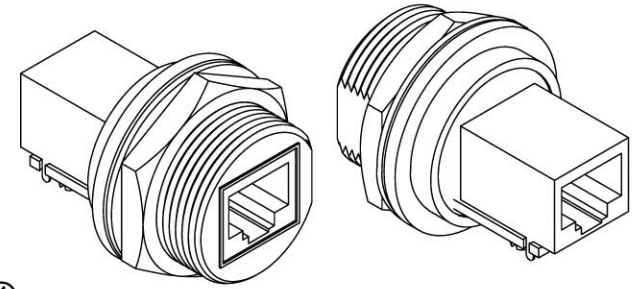
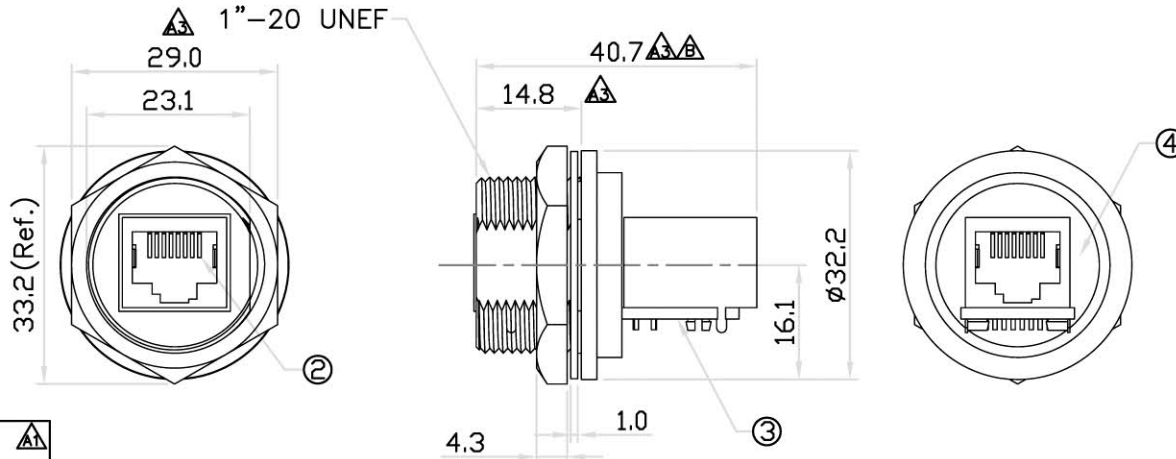
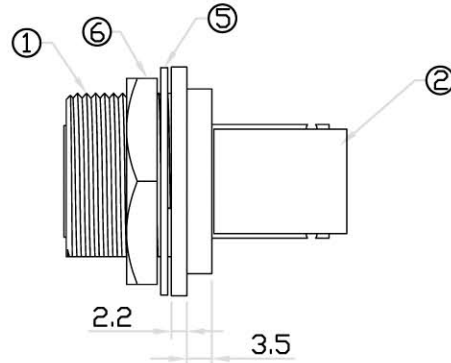
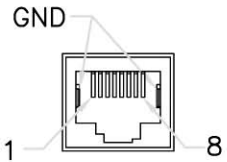


RECOMMENDED
PANEL CUT OUT



NOTES:

1. Current Rating: 1A
2. Voltage Rating: 150 VAC Max.
3. Connector Temperature Range: -25°C to 85°C
4. Contact Resistance: ≤30mΩ
5. Insulation Resistance: ≥100MΩ
6. Dielectric Withstanding Voltage:
1KVrms at 60Hz, 1 minute between adjacent contacts.
1.5KVrms at 60Hz, 1 minute between shield and contacts.
7. Panel Thickness Max. 4.0



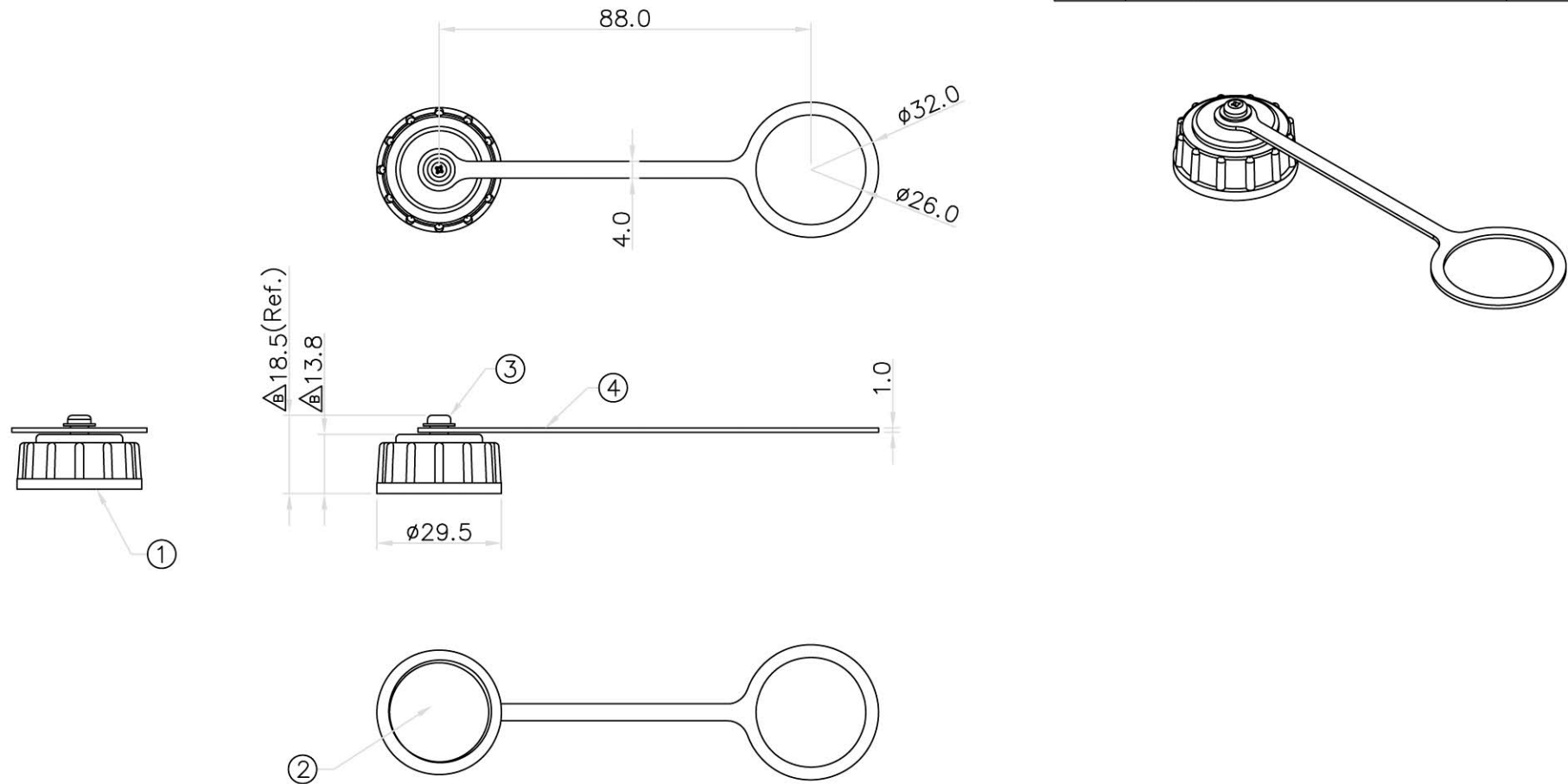
PIN ASSIGNMENT
FRONT VIEW
(前視圖)

原型號為:RJ45D-PJCRJ
(OLD NO.)

6	HEX NUT	NYLON+GF.	BLACK	1	
5	GASKET	EPDM.	BLACK	1	
4	GLUE	EPOXY.	BLACK	1	
3	PCB	FR4, 4 Layers. 1.6mm Thickness.		1	
2	RJ45 JACK	RJ45 Jack with Shield. Right Angle Type.		2	
1	CONNECTOR	RJ45 Jack Connector Insert. NYLON+GF.	BLACK	1	
No.	PART NAME	DESCRIPTION	COLOR	Q'TY	REMARKS

		UNIT: mm	TITLE : RJ45 JACK D Size Panel Connector Rear Mount Screw Type Round Flange With Right Angle RJ45 Shield Jack	
SCALE		1:1		
UNLESS OTHERWISE SPECIFIED TOLERANCES:		P/N:	RJ45D-P3CSJ	
X	± 0.5	XX	± 0.25	DR. Patty
XXX	± 0.1	ANGLE	± 1'	CH. ERIC
REV.	SHEET	DWG.NO:	AP.	
B	1/1	RJ45D-P3CSJ		

REV.	DESCRIPTION	DATE
A	ISSUE	Sep/08/2011
A1	Change part number.	Mar/06/2014
B	Change Design	Jun/17/2014



NOTE:
Panel Thickness Max. 2mm.

		UNIT: mm	TITLE : Waterproof Cap Screw Type For D Size Male Connector Lock & Screw Type With Rubber Chain	
SCALE		1:1.5	DR. Patty	
UNLESS OTHERWISE SPECIFIED TOLERANCES:		P/N:	CDX-WCAP-MB	
.x ± 0.25 .xx ± 0.1 .xxx ± 0.05 ANGLE ± 1°X		REV.	CH. ERIC	
REV. B		SHEET 1/1	DWG. NO. CDX-WCAP-MB	
AP.				

No.	PART NAME	DESCRIPTION	COLOR	Q'TY	REMARKS
4	CHAIN	Plastic Rubber.	BLACK	1	59-135-N2
3	SCREW	P ϕ /W=7.5 3x6 TP-1, SUS		1	
2	GASKET	Plastic Rubber.	BLACK	1	
1	CAP	Screw Type Cap, NYLON+GF.	BLACK	1	85-135-N2