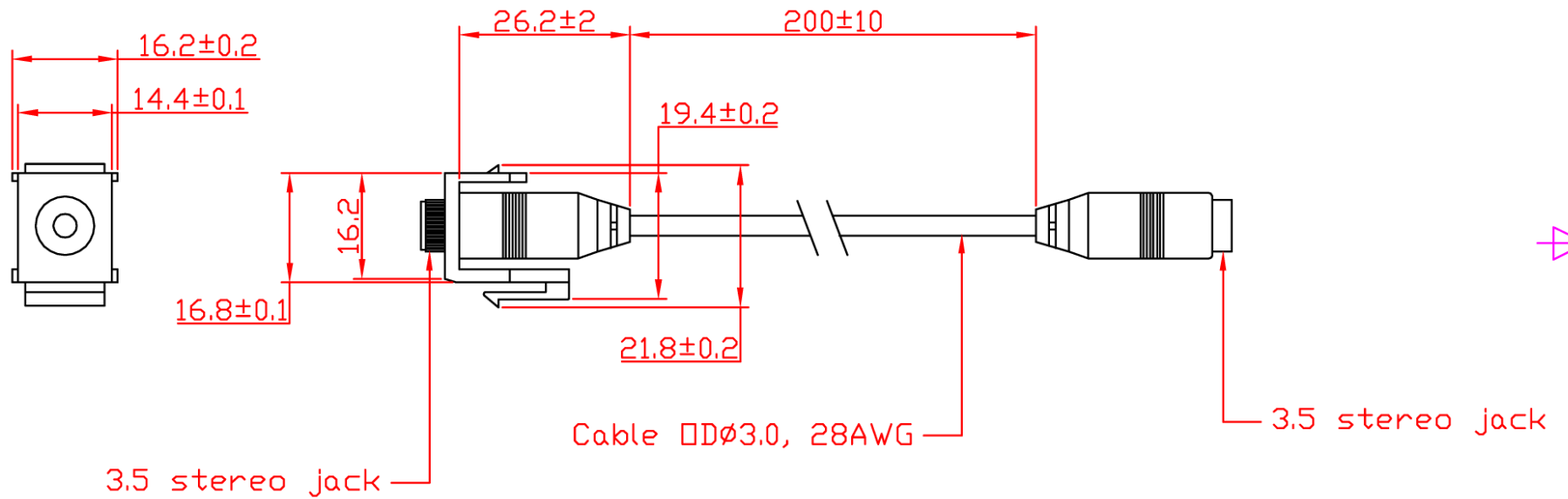


PART NO: 30104080101
ITEM NO: SICC-35MFTF-ST-200

RevNo	Revision note	Rev-By	RevDate	Signature	Checked



ITEM NO.	SICC-35MFTF-ST-200			
PART NO.	30104080101			
DESIGNED BY	DATE	150323	UNIT	MM
	SCALE	1:1	VER.	1
NO.	Checked by			
APPR:	Approved by -date			