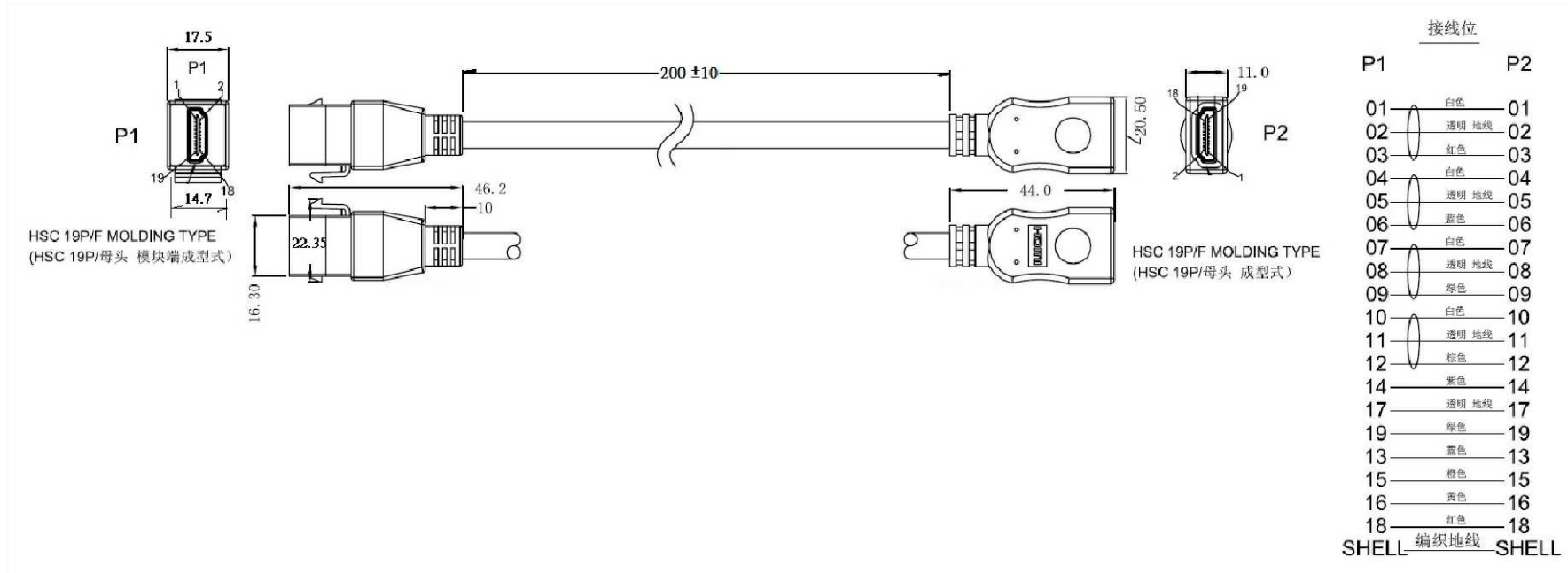


RevNo	Revision note	Rev-By	RevDate	Signature	Checked

**ITEM NO: SICCC-HDMI1TF-ST-200**  
**PART NO: 30104060501-L018**



ITEM NO.	SICCC-HDMI1TF-ST-200			
PART NO.	30104060501-L018			
DESIGNED BY Tsai	DATE	210802	UNIT	MM
	SCALE	Free	VER.	1
NO.		Checked by		
APPR:		Approved by -date		