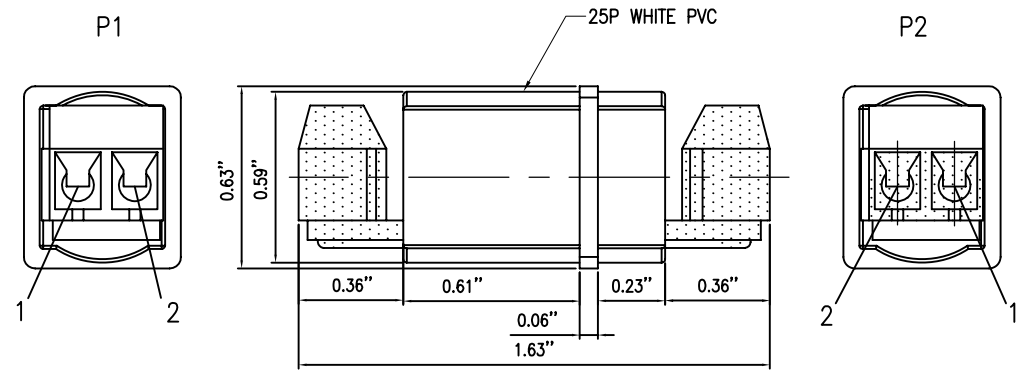
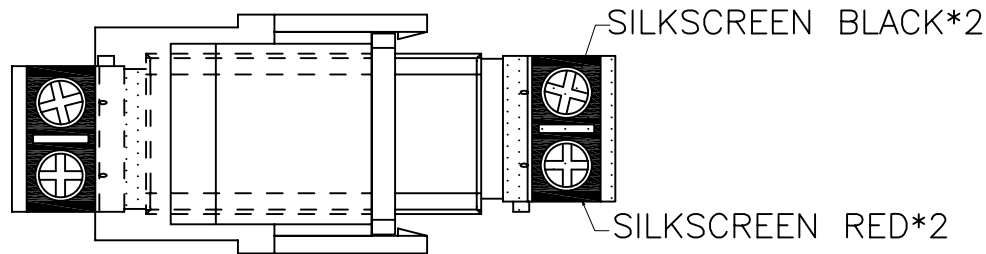


MODULE DRAWING(UNIT:INCH)



SPEAKER TERMINAL BLOCK ADAPTER(UNIT:INCH)



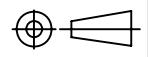
ASSEMBLY DRAWING

WIRE LIST

| P1 | | P2 |
|----|-------|----|
| 1 | _____ | 1 |
| 2 | _____ | 2 |

NOTES:

1. MODULE:MATERIAL:PC+ABS, WHITE.
2. ADAPTOR:SPEAKER TERMINAL BLOCK ADAPTER.
3. MOLDING 25P WHITE(WH-05) PVC.
4. MOLD:TER-01,071-01(071D ELLIPSE TYPE).

| | | | | |
|--|----------|---|-----|---|
| NET MECHANISM Corp www.cabling-ol.net | | | | |
| SCALE | NONE |  | REV | A |
| UNIT | INCH | | | |
| SHEET | 1/1 | DWG NO. | | |
| DATE | 10/24/08 | | | |
| TITLE SPEAKER TERMINAL BLOCK MODULE | | | | |
| PART NO. | | SIM-SP-WH | | |