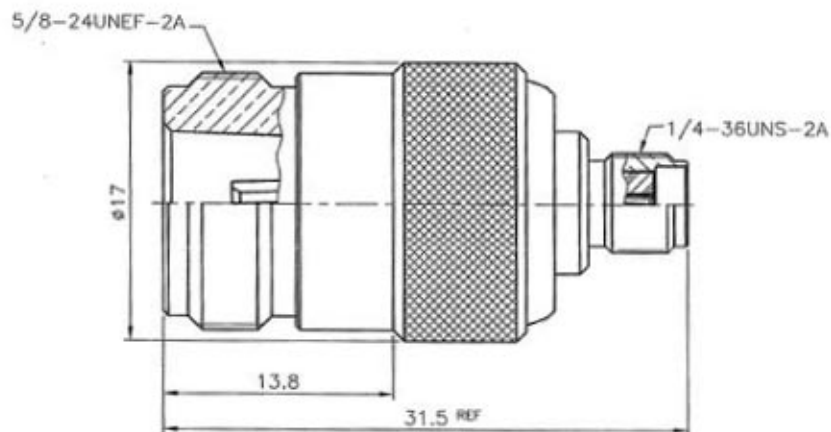


REVISIONS

ISS	SYMBOL	DESCRIPTION\DATE
A1		由R78J4-BNTG003 型式變更\03/27/07'

REMARK: RoHS COMPLIANT
(符合 RoHS)

FOR CUSTOMER



NOTES: FINISH (PLATING THICKNESS IN MICRO-INCHES)

- BRASS PER QQ-B-626
- NICKEL PL 70 MIN THICK OVER COPPER STRIKE
- GOLD PL 3 MIN OVER NICKEL PL 70 MIN THICK OVER COPPER STRIKE
- TEFLON MIL-P-19468
- PHOSPHOR BRONZE PER QQ-B-750

					DIMENSIONS ARE IN MILLIMETERS		PART NO.		
					UNLESS OTHERWISE SPECIFIED TOLERANCES (一般公差)		APPROVED DATE		
					0.5-6 = ±0.2	A [Signature] 03/27/07'		TITLE N JACK TO SMA JACK ADAPTOR	
BODY					>6-30 = ±0.4	CHECKED DATE			
CONTACT PIN					>30-120 = ±0.6	A [Signature] 03/27/07'		DRAWING NO. 73J78JNS5BF001B	
INSULATOR					>120-315 = ±1	DRAWN DATE			
BODY					>315-1000 = ±1.6	A [Signature] 03/27/07'		FILE NO. Z:\N0\73\78\JNS5\001\73J78JNS5BF001B-A1	
					ANGLES(角度) = ±5'				
NO.	DESCRIPTION	MATERIAL	FINISH	Q'TY	DRAWING NO.	SCALE	3/1	ISSUE	A1