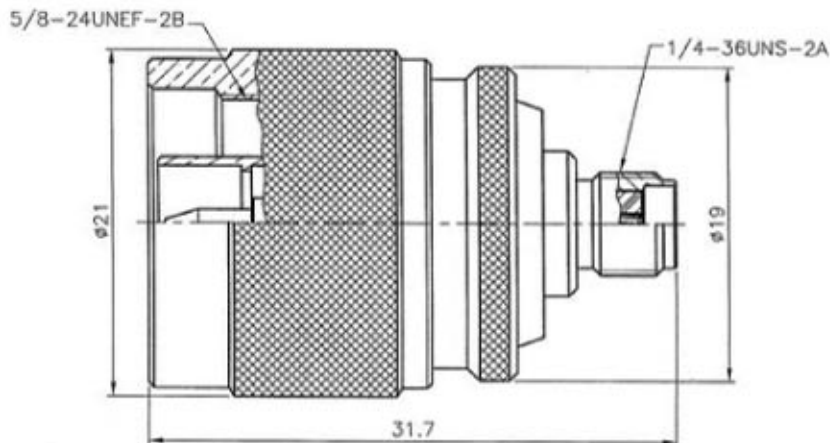


## REVISIONS

ISS	SYMBOL	DESCRIPTION\DATE
A1		由R7833-BNTG002 圖號轉來 \03/27/07*
A2		修正 C RING 材質 \10/15/08*

REMARK: RoHS COMPLIANT  
(符合 RoHS)



## NOTES: FINISH (PLATING THICKNESS IN MICRO-INCHES)

- BRASS PER QQ-B-626
- NICKEL PL 70 MIN THICK OVER COPPER STRIKE
- GOLD PL 3 MIN OVER NICKEL PL 70 MIN THICK OVER COPPER STRIKE
- TEFLON MIL-P-19468
- PHOSPHOR BRONZE PER QQ-B-750
- BRASS JIS H 3250, C 2700

NO.	DESCRIPTION	MATERIAL	FINISH	Q'TY	DRAWING NO.	SCALE	3/1	ISSUE	A2	PART NO.
	SHELL	NOTE 1	NOTE 2							
	GASKET	SILICONE	RED							
	C RING	NOTE 6	NOTE 2							
	BODY	NOTE 1	NOTE 2							
	CONTACT PIN	NOTE 5	NOTE 3							
	INSULATOR	NOTE 4	WHITE							
	BODY	NOTE 1	NOTE 2							
DIMENSIONS ARE IN MILLIMETERS										
UNLESS OTHERWISE SPECIFIED TOLERANCES (一般公差)										
0.5-6 = ±0.2										
>6-30 = ±0.4										
>30-120 = ±0.6										
>120-315 = ±1										
>315-1000 = ±1.6										
ANGLES(角度) = ±5°										
APPROVED DATE 10/15/08*										
CHECKED DATE 10/15/08*										
DRAWN DATE 10/15/08*										

TITLE  
N PLUG TO SMA JACK ADAPTOR

DRAWING NO. 73P78JNS58F001B

FILE NO. Z:\IND\73P\78J\NS5\001\73P78JNS58F001B-A2