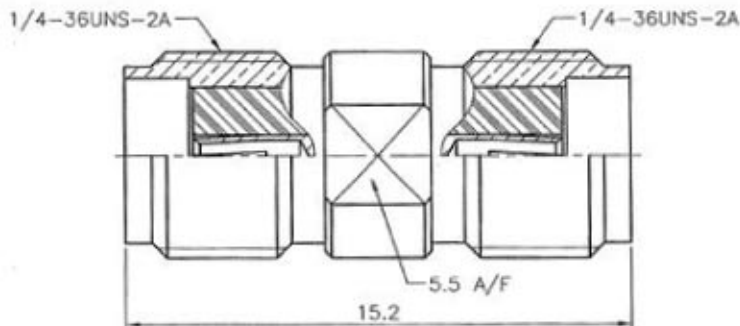


REVISIONS

ISS	SYMBOL	DESCRIPTION\DATE
A1		由BJ-7817-88BGT001-R 型式轉來\08/15/06

REMARK: RoHS COMPLIANT
(符合 RoHS)

FOR CUSTOMER



NOTES: FINISH (PLATING THICKNESS IN MICRO-INCHES)

- BRASS PER QQ-B-626
- GOLD PL 3 MIN OVER NICKEL PL 70 MIN THICK OVER COPPER STRIKE
- GOLD PL 30 MIN OVER NICKEL PL 70 MIN THICK OVER COPPER STRIKE
- TEFLON MIL-P-19468
- BERYLLIUM COPPER PER QQ-C-530

					DIMENSIONS ARE IN MILLIMETERS		PART NO.	
					UNLESS OTHERWISE SPECIFIED TOLERANCES (一般公差)		APPROVED DATE	
					0.5-6 = ±0.2		08/15/06	
					6-30 = ±0.4		CHECKED DATE	
					30-120 = ±0.6		08/15/06	
					120-315 = ±1		DRAWN DATE	
					315-1000 = ±1.6		08/15/06	
					ANGLES(角度) = ±0.5°			
CONTACT PIN	NOTE 5	NOTE 3			SCALE	6/1	ISSUE	A1
INSULATOR	NOTE 4	WHITE						
BODY	NOTE 1	NOTE 2						
NO.	DESCRIPTION	MATERIAL	FINISH	Q'TY	DRAWING NO.			

TITLE

SMA JACK TO JACK ADAPTOR

DRAWING NO.

7878NS500BD000B

FILE NO. Z:\NND\7878\NS\500\000\BD0-A1