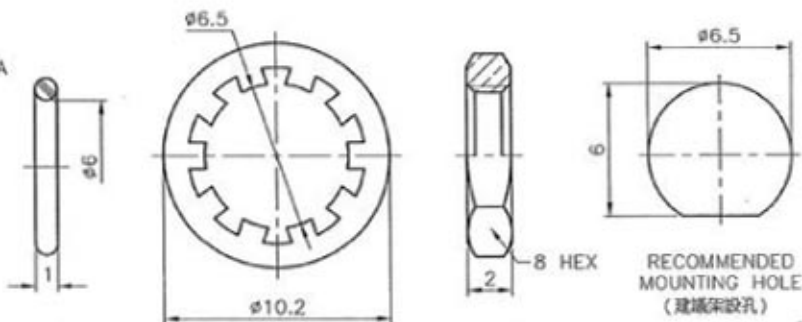
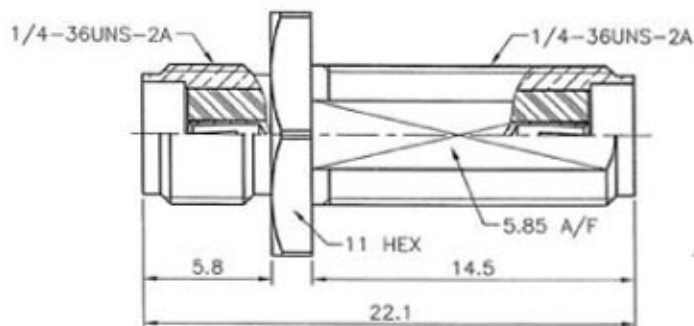


REVISIONS

ISS	SYMBOL	DESCRIPTION\DATE
A1		由R7818-BCTG001型號轉來,改畫對外面 06/06/07

REMARK: RoHS COMPLIANT
(符合 RoHS)

FOR CUSTOMER



NOTES: FINISH (PLATING THICKNESS IN MICRO-INCHES)

- BRASS PER QQ-B-626
- GOLD PL 3 MIN OVER NICKEL PL 70 MIN THICK OVER COPPER STRIKE
- TEFLON MIL-P-1946B
- BERYLLIUM COPPER PER QQ-C-530
- GOLD PL 30 MIN OVER NICKEL PL 70 MIN THICK OVER COPPER STRIKE
- GOLD FLUSH OVER NICKEL PL 70 MIN THICK OVER COPPER STRIKE

1. MAX. PANEL THICKNESS=5.5mm
(最大板厚)

					DIMENSIONS ARE IN MILLIMETERS		PART NO.			
NUT	NOTE 1	NOTE 6			UNLESS OTHERWISE SPECIFIED TOLERANCES (一般公差) 0.5-6 = ±0.2 >6-30 = ±0.4 >30-120 = ±0.6 >120-315 = ±1 >315-1000 = ±1.6 ANGLES(角度) = 8°		APPROVED	DATE	TITLE SMA JACK TO BULKHEAD JACK ADAPTOR	
WASHER	SS41	NOTE 6					<i>Mark</i>	06/06/07		
GASKET	SILICONE	RED					CHECKED	DATE	DRAWING NO. 7878CS5008D002B	
CONTACT PIN	NOTE 4	NOTE 5					<i>Mark</i>	06/06/07		
INSULATOR	NOTE 3	WHITE					DRAWN	DATE	FILE NO. Z:\IND\7878\CS\500\002\7878CS5008D002B-A1	
BODY	NOTE 1	NOTE 2					<i>Mark</i>	06/06/07		
NO.	DESCRIPTION	MATERIAL	FINISH	Q'TY	DRAWING NO.	SCALE	4/1	ISSUE	A1	