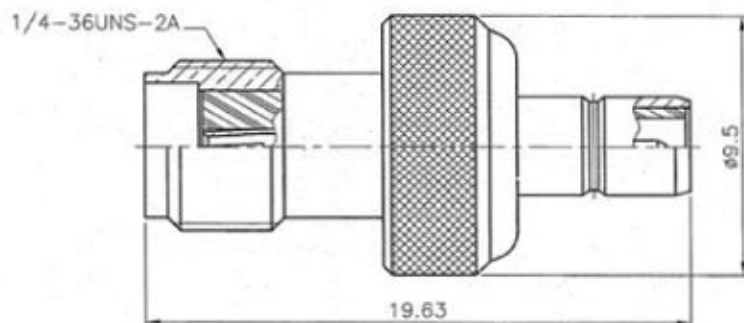


REVISIONS	
ISS SYMBOL	DESCRIPTION, DATE
A1	由BJ-8804-88BCTG002-R 型式轉來 10/23/06

REMARK: RoHS COMPLIANT
(符合 RoHS)



NOTES: FINISH (PLATING THICKNESS IN MICRO-INCHES)

1. BRASS PER QQ-B-626
2. GOLD PL 3 MIN OVER NICKEL PL 70 MIN THICK OVER COPPER STRIKE
3. GOLD PL 30 MIN OVER NICKEL PL 70 MIN THICK OVER COPPER STRIKE
4. TEFLON MIL-P-1946B
5. BERYLLIUM COPPER PER QQ-C-530

					DIMENSIONS ARE IN MILLIMETERS		PART NO.		
					UNLESS OTHERWISE SPECIFIED TOLERANCES (一般公差)		APPROVED DATE		
BODY	NOTE 1	NOTE 2			0.5~6 = ±0.2	<i>Asak</i>	10/23/06	TITLE	
INSULATOR	NOTE 4	WHITE			>6~30 = ±0.4			SMA JACK TO SMB JACK ADAPTOR	
CONTACT PIN	NOTE 5	NOTE 3			>30~120 = ±0.6	<i>Asak</i>	10/23/06	DRAWING NO.	
INSULATOR	NOTE 4	WHITE			>120~315 = ±1			78J91JNS58D000B	
BODY	NOTE 1	NOTE 2			>315~1000 = ±1.6			FILE NO.	
					ANGLES(角度) = ±5°	<i>Asak</i>	10/23/06	Z:\NND\78J91J\NSS\000\80B-A1	
NO.	DESCRIPTION	MATERIAL	FINISH	QTY	DRAWING NO.	SCALE	5/1	ISSUE	A1