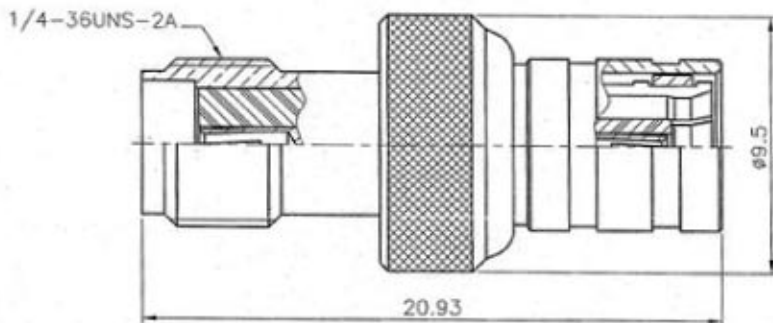


REVISIONS

| ISS | SYMBOL | DESCRIPTION\DATE |
|-----|--------|-----------------------------------|
| A1 | | 由BJ-8804-88BGT001-R 型式轉來\07/11/08 |

REMARK: RoHS COMPLIANT
(符合 RoHS)

FOR CUSTOMER



NOTES: FINISH (PLATING THICKNESS IN MICRO-INCHES)

- BRASS PER QQ-B-626
- GOLD PL 3 MIN OVER NICKEL PL 70 MIN THICK OVER COPPER STRIKE
- GOLD PL 30 MIN OVER NICKEL PL 70 MIN THICK OVER COPPER STRIKE
- TEFLON MIL-P-19468
- BERYLLIUM COPPER PER QQ-C-530

| SHELL | NOTE 1 | NOTE 2 | | DIMENSIONS ARE IN MILLIMETERS | PART NO. | | | | | | | |
|-------------|-------------|----------|--------|--|-------------|-------|-----|-------|----|-------|------|----------|
| C RING | NOTE 5 | NONE | | UNLESS OTHERWISE SPECIFIED TOLERANCES (一般公差) 0.5-6 = ±0.2 >6-30 = ±0.4 >30-120 = ±0.6 >120-315 = ±1 >315-1000 = ±1.6 ANGLES(角度) = ±5° | APPROVED | | | | | | | |
| BODY | NOTE 1 | NOTE 2 | | | DATE | | | | | | | |
| INSULATOR | NOTE 4 | WHITE | | | 07/11/08 | | | | | | | |
| CONTACT PIN | NOTE 5 | NOTE 3 | | | CHECKED | | | | | | | |
| INSULATOR | NOTE 4 | WHITE | | | DATE | | | | | | | |
| BODY | NOTE 1 | NOTE 2 | | | 07/11/08 | | | | | | | |
| NO. | DESCRIPTION | MATERIAL | FINISH | D'TY | DRAWING NO. | SCALE | 5/1 | ISSUE | A1 | DRAWN | DATE | 07/11/08 |

TITLE

SMA JACK TO SMB PLUG ADAPTOR

DRAWING NO.

78J91PNS58D000B

FILE NO. Z:\IND\78J\91P\NS\000\78J91PNS58D000B-A1