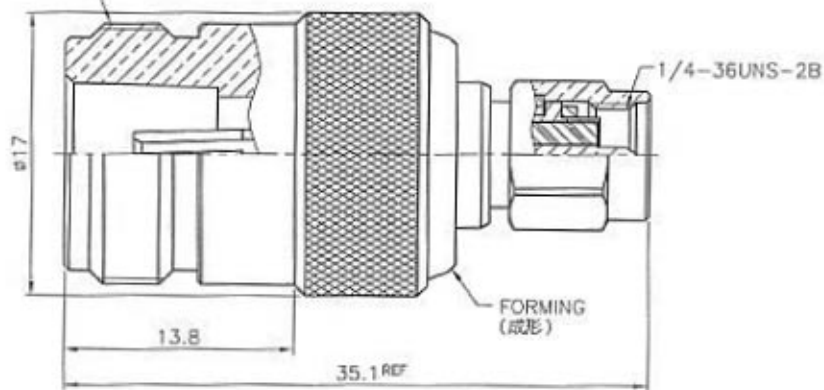


REV	SYMBOL	REVISIONS	DESCRIPTION/DATE
A1		由R7824-BNTG001 型式變更	10/23/06'
A2		變更 BODY,C RING,SHELL	02/14/11'

5/8-24UNEF-2A



## NOTES: FINISH (PLATING THICKNESS IN MICRO-INCHES)

- BRASS PER QQ-B-626
- GOLD PL 3 MIN OVER NICKEL PL 70 MIN THICK OVER COPPER STRIKE
- TEFLON MIL-P-19468
- PASSIVATED
- PHOSPHOR BRONZE PER QQ-B-750
- NICKEL PL 70 MIN THICK OVER COPPER STRIKE

RoHS COMPLIANT

NO.	DESCRIPTION	MATERIAL	FINISH	QTY	DRAWING NO.	SCALE	3/1	ISSUE	A2
	SHELL	NOTE 1	NOTE 6						
	GASKET	SILICONE	RED						
	C RING	SUS 304	NOTE 4						
	BODY	NOTE 1	NOTE 6						
	CONTACT PIN	NOTE 5	NOTE 2						
	INSULATOR	NOTE 3	WHITE						
	BODY	NOTE 1	NOTE 6						

DIMENSIONS ARE IN MILLIMETERS

PART NO.

UNLESS OTHERWISE SPECIFIED TOLERANCES

(一般公差)

0.5-6 = ±0.2

&gt;6-30 = ±0.4

&gt;30-120 = ±0.6

&gt;120-315 = ±1

&gt;315-1000 = ±1.6

ANGLES(角度) = ±5°

APPROVED DATE

02/14/11'

CHECKER DATE

02/14/11'

DRAWN DATE

02/14/11'

TITLE

N JACK TO SMA PLUG ADAPTOR

DRAWING NO.

73J78PNS58F000B

FILE NO.

Z:\NND\73J78P\WSS\000\73J78PNS58F000B-A2