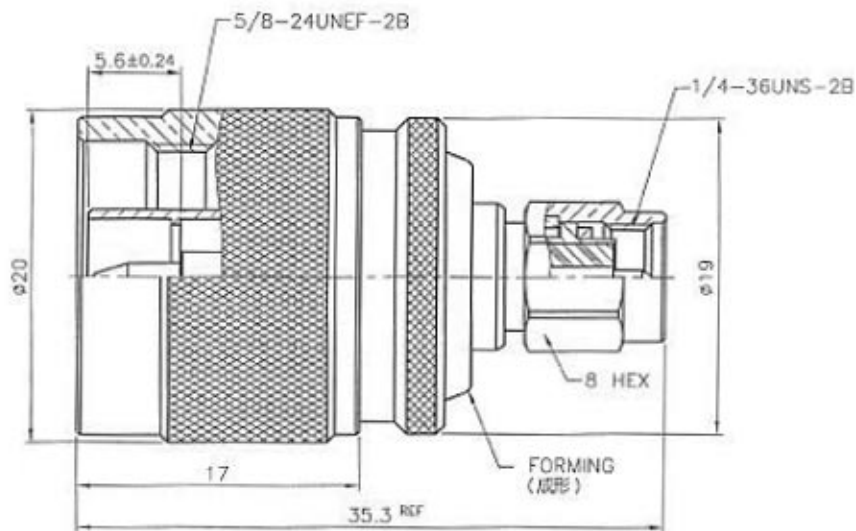


REVISONS	
ISS	DESCRIPTION/DATE
A2	更改 C RING 材質 \11/07/08'
A3	變更 BODY,C RING,SHELL \02/14/11'



## NOTES: FINISH (PLATING THICKNESS IN MICRO-INCHES)

- BRASS PER QQ-B-526
- NICKEL PL 70 MIN THICK OVER COPPER STRIKE
- GOLD PL 3 MIN OVER NICKEL PL 70 MIN THICK OVER COPPER STRIKE
- TEFLON MIL-P-1946B
- PASSIVATED
- BRASS JIS H 3250, C 2700

NO.	DESCRIPTION	MATERIAL	FINISH	QTY	DRAWING NO.
	SHELL	NOTE 1	NOTE 2		
	GASKET	SILICONE	RED		
	C RING	SUS 304	NOTE 5		
	SHELL	NOTE 1	NOTE 2		
	GASKET	SILICONE	RED		
	C RING	NOTE 6	NOTE 2		
	CONTACT PIN	NOTE 1	NOTE 3		
	BODY	NOTE 1	NOTE 2		
	INSULATOR	NOTE 4	WHITE		
	BODY	NOTE 1	NOTE 2		

DIMENSIONS ARE IN MILLIMETERS		PART NO.	
UNLESS OTHERWISE SPECIFIED TOLERANCES (一般公差)			
0.5~6	= ±0.2	APPROVED	DATE
>6~30	= ±0.4	<i>Fully</i>	02/14/11'
>30~120	= ±0.6	CHECKED	DATE
>120~315	= ±1	<i>Fully</i>	02/14/11'
>315~1000	= ±1.6	DRAWN	DATE
ANGLES(角度) = ±5°		<i>Andy</i>	02/14/11'

RoHS COMPLIANT	
TITLE	N PLUG TO SMA PLUG ADAPTOR
DRAWING NO.	73P78PNS58F000B
FILE NO.	Z:\IND\73P\76P\NSS\000\73P78PNS58F000B-A3